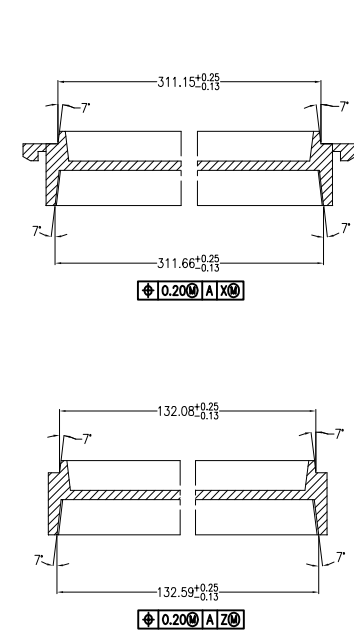
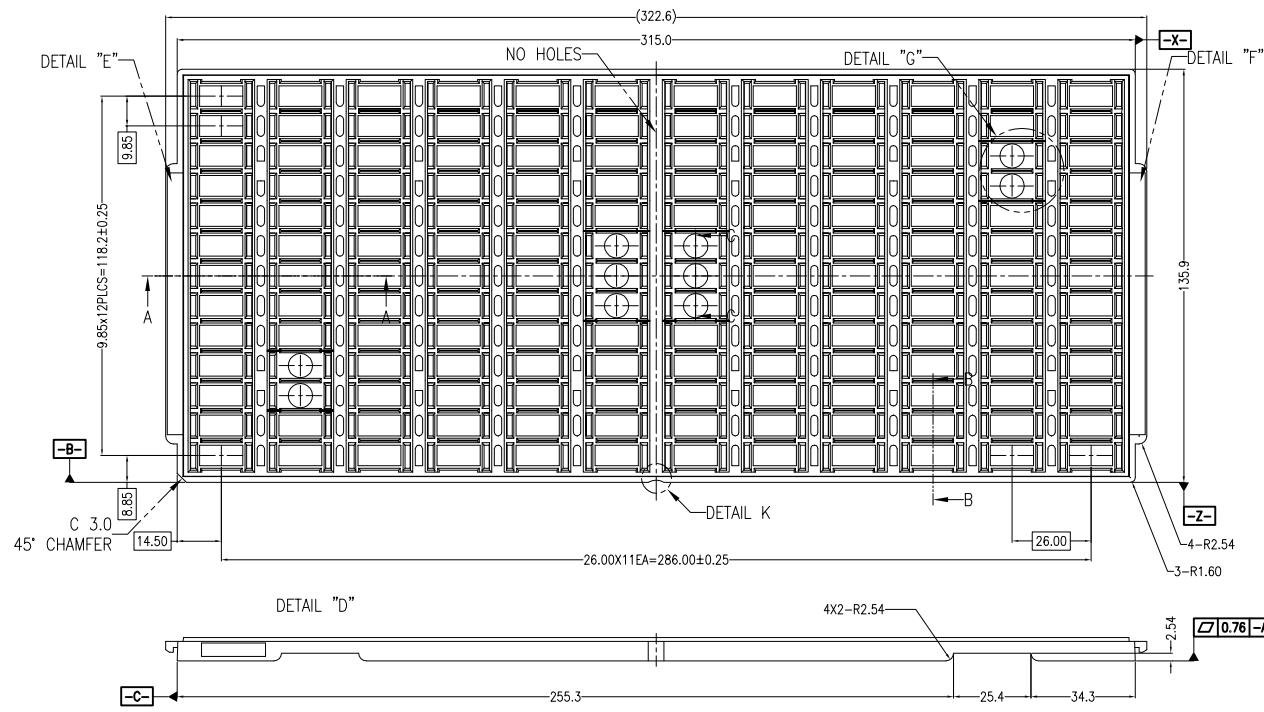


REVISIONS

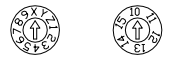
ZONE	REV	ECN	DESCRIPTION	DATE	APPROVED
	**	721	NEW RELEASE	04/20/94	
	*A	52667	CHG. TO CYPRESS FORMAT, CHG. TITLE AND PART #	10/14/97	
	*B	3426323	UPDATED DRAWING, CHANGE TEMPLATE	10/31/11	
	*C	3769639	TRANSFER DRAWING TO CML TEMPLATE	10/08/12	QAD/KGL



TRAY STACKING DETAIL
(SCALE:4/1)

TSDP1 8mmx20mm
KS-8406

DETAIL D
(SCALE:2/1)



DATE DETAIL
(SCALE:2/1)

KOSTAT® TSDP I 8mm X 20mm

DETAIL E
(SCALE:2/1)

BAKE TEMP XXX°C **KOSTAT®**

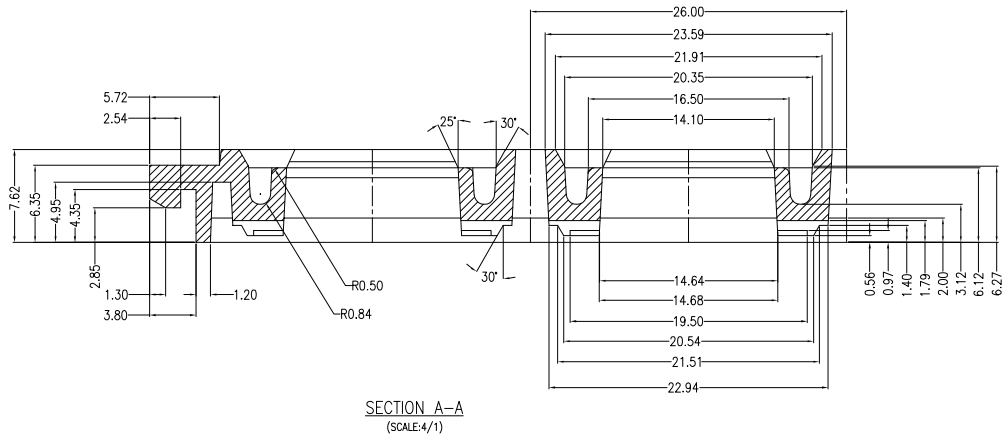
DETAIL F
(SCALE:2/1)

DESCRIPTION	MATERIAL	COLOR	TEMP °C	E S D
NON-BAKEABLE	ABS	BLUE,RED	50 °C	10 ¹⁰ TO 10 ¹² ohm/SQ.
BAKEABLE	KS-6120	BLACK	140 °C,150 °C	10 ⁸ TO 10 ¹¹ ohm/SQ.
BAKEABLE	KS-6110	BLACK	150 °C	10 ⁸ TO 10 ¹¹ ohm/SQ.
BAKEABLE	KS-6100	BLACK	180 °C	10 ⁸ TO 10 ¹¹ ohm/SQ.

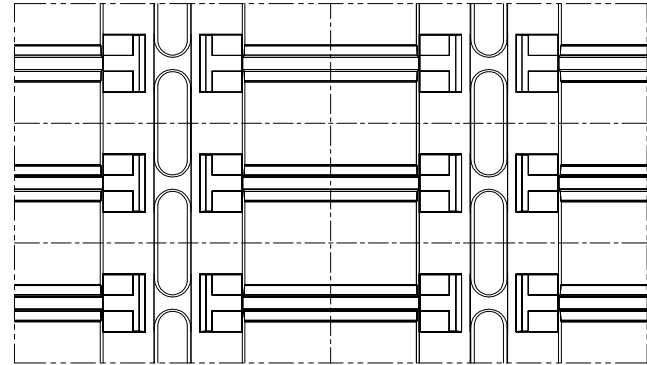
*SUPPLIER P/N: KS-8406

UNLESS OTHERWISE SPECIFIED		DESIGNED BY	DATE	CYPRESS COMPANY CONFIDENTIAL			
ALL DIMENSIONS ARE IN MILLIMETERS STANDARD TOLERANCES ON:		DRAWN	DATE	 TITLE 32LD TSDP TRAY 8 X 20 X 1.0 (TYPE I) SIZE PART NO. DWG NO. REV A TZ82010-* 51-52011 *C			
DECIMALS	ANGLES	XVC	10/08/12				
.XX ± 0.25	± 0.5°	CHK BY	ZJL				
.XXX ± 0.13		APPROVED BY	QAD				
.XXXX ± 0.13		APPROVED BY	KGL				
MATERIAL	SEE NOTES	FINISH		SCALE	SCALED TO FIT	SHEET	1 OF 2

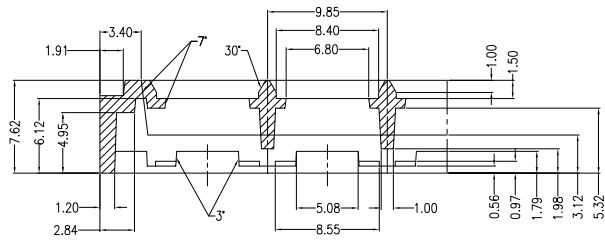
THIS DRAWING CONTAINS INFORMATION WHICH IS THE PROPRIETARY PROPERTY OF CYPRESS SEMICONDUCTOR CORPORATION. THIS DRAWING IS RECEIVED IN CONFIDENCE AND ITS CONTENTS MAY NOT BE DISCLOSED WITHOUT WRITTEN CONSENT OF CYPRESS SEMICONDUCTOR CORPORATION.



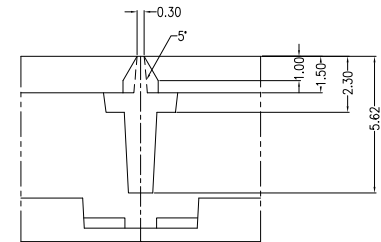
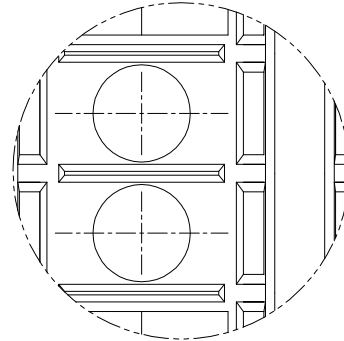
SECTION A-A
(SCALE:4/1)



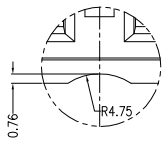
BOTTOM VIEW
(SCALE:2/1)



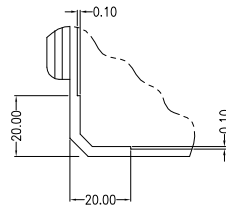
SECTION B-B
(SCALE:4/1)



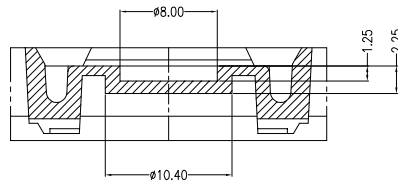
SECTION C-C
(SCALE:8/1)



DETAIL "K"
(SCALE:2/1)



STACKING DETAIL
(SCALE:4/1)



DETAIL "G"
(SCALE:4/1)

UNLESS OTHERWISE SPECIFIED ALL DIMENSIONS ARE IN MILLIMETERS STANDARD TOLERANCES ON: DECIMALS .XX ± 0.25 .XXX ± 0.13 .XXXX ± 0.13 ANGLES ± 0.5°	DESIGNED BY	DATE					
	DRAWN	DATE					
	CHK BY	DATE	TITLE	SIZE	PART NCL	DWG NO	REV
	MATERIAL	DATE	DATE	A	TZ82010-*	51-52011	*C
FINISH	APPROVED BY	DATE	SCALE SCALED TO FIT		SHEET 2 OF 2		