



Please note that Cypress is an Infineon Technologies Company.

The document following this cover page is marked as “Cypress” document as this is the company that originally developed the product. Please note that Infineon will continue to offer the product to new and existing customers as part of the Infineon product portfolio.

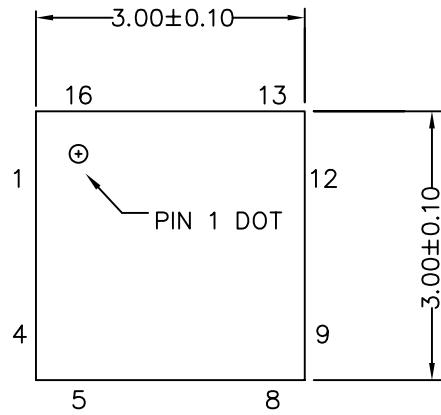
Continuity of document content

The fact that Infineon offers the following product as part of the Infineon product portfolio does not lead to any changes to this document. Future revisions will occur when appropriate, and any changes will be set out on the document history page.

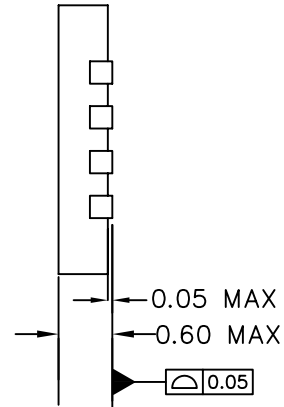
Continuity of ordering part numbers

Infineon continues to support existing part numbers. Please continue to use the ordering part numbers listed in the datasheet for ordering.

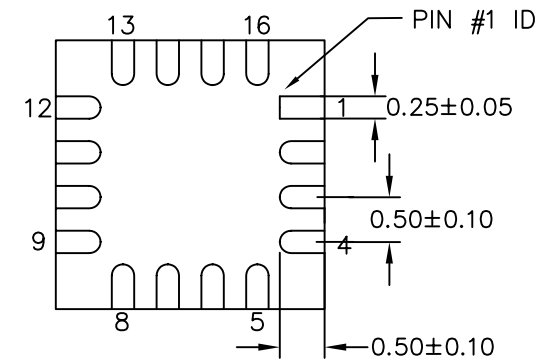
TOP VIEW



SIDE VIEW




BOTTOM VIEW



NOTES


1. REFERENCE JEDEC # MO-220
2. ALL DIMENSIONS ARE IN MILLIMETERS

 CYPRESS Company Confidential		REV
		*J
TITLE PACKAGE OUTLINE, 16L CHIP ON LEAD 3X3X0.6 MM LG16A/LD16A (SAWN)		
SPEC NO. 001-09116		SHEET 1 OF 2
SCALED 1:1		

THIS DRAWING CONTAINS INFORMATION WHICH IS THE PROPRIETARY PROPERTY OF CYPRESS SEMICONDUCTOR CORPORATION. THIS DRAWING IS RECEIVED IN CONFIDENCE AND ITS CONTENTS MAY NOT BE DISCLOSED WITHOUT WRITTEN CONSENT OF CYPRESS SEMICONDUCTOR CORPORATION.

PACKAGE CODE(S) LG16A/LD16A

REV	ECN	Origin of Change	Description of Change
**	486005	JSO	NEW RELEASE
*A	502932	JSO	ADDED MIN/MAX VALUES, ADDED PART NUMBER TABLE, UNIT WEIGHT AND JEDEC REFERENCE SPEC
*B	562531	JSO	CORRECTED LEAD SPREAD DIMENSION FROM 1.4MM TO 1.5MM
*C	1587205	JSO	CORRECTED MINIMUM LEAD WIDTH DIMENSION FROM 0.15MM TO 0.18MM
*D	2560811	BZG	CORRECTED BOTTOM VIEW TO SHOW PROPER PIN #1 LOCATION
*E	2807693	TZWTMP3	CHANGE TEMPLATE, CHANGE TITLE FROM 16L CHIP ON LEAD 3X3MM PACKAGE OUTLINE (SAWN). TO PACKAGE OUTLINE, 16L CHIP ON LEAD 3X3X0.6 MM LG16A/LD16A (SAWN)
*F	3363310	JSO	SUNSET REVIEW
*G	3745001	JSO	SUNSET REVIEW
*H	3918482	JSO	UPDATED DRAWING TO ADD MISSING LEAD LENGTH DIMENSION REMOVED PACKAGE WEIGHT. ADDED & CORRECTED PIN NUMBER
*I	4105802	ROWI	SUNSET REVIEW. CHANGED DRAWING TEMPLATE
*J	4310930	ROWI	CORRECTED ARROW DIRECTION FOR PIN #1 ID.

 CYPRESS Company Confidential	
TITLE PACKAGE OUTLINE, 16L CHIP ON LEAD 3X3X0.6 MM LG16A/LD16A (SAWN)	
SPEC NO. 001-09116	REV *J
SCALED 1:1	SHEET 2 OF 2

THIS DRAWING CONTAINS INFORMATION WHICH IS THE PROPRIETARY PROPERTY OF CYPRESS SEMICONDUCTOR CORPORATION. THIS DRAWING IS RECEIVED IN CONFIDENCE AND ITS CONTENTS MAY NOT BE DISCLOSED WITHOUT WRITTEN CONSENT OF CYPRESS SEMICONDUCTOR CORPORATION.

PACKAGE CODE(S) LG16A/LD16A