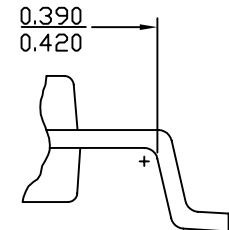
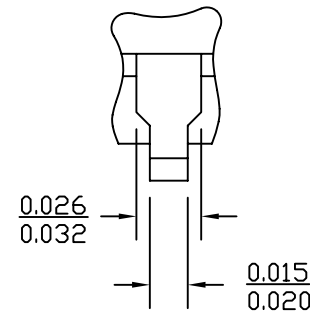
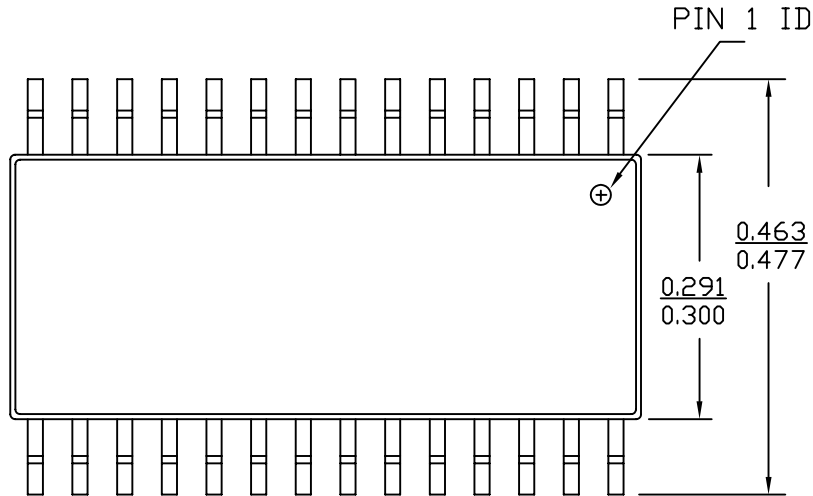


REVISIONS						
PAGE	ZONE	REV	ECN	DESCRIPTION	DATE	APPROVED
1	-	**	49915	NEW RELEASE	04/22/97	N/A
1	-	*A	64073	ADD DETAIL "A"	09/01/99	N/A
1	-	*B	114933	ADD NEW DIMENSION 0.390/0.420	04/14/02	N/A
1	-	*C	2830180	Changed Template and Title from 28LD (300 MIL) SNC PACKAGE OUTLINE (NARROW BODY) to PACKAGE OUTLINE, 28LD SNC 300 MILS SN28.3 (NARROW BODY).	12/18/09	QAD
1	4B,5B	*D	3342545	Removed OMEDATA Dimensions and CSPI annotation in DETAIL "A"	08/11/11	FMN
1	-	*E	3728137	Sunset Review, Added Package Weight - Refer to PMDD spec.	08/28/12	QAD

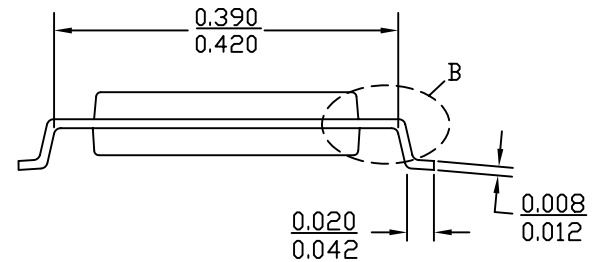
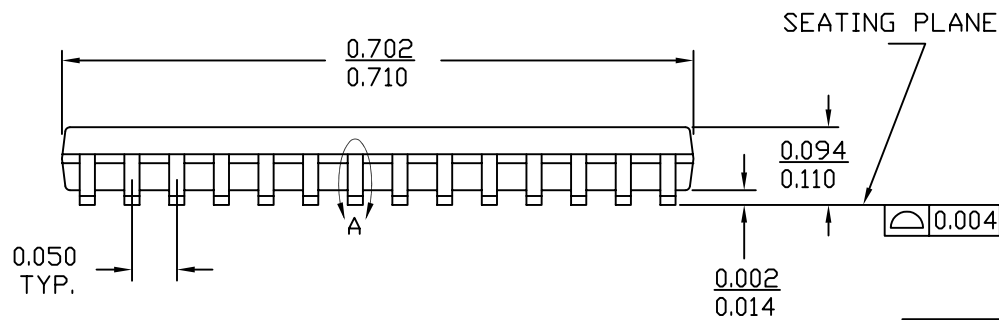
SNC 28.300 WITH NARROW BODY

DIMENSIONS IN INCHES MIN.
MAX.
Package Weight - Refer to PMDD spec.



DETAIL "A"

DETAIL "B"



THIS DRAWING CONTAINS INFORMATION WHICH IS THE PROPRIETARY PROPERTY OF CYPRESS SEMICONDUCTOR CORPORATION. THIS DRAWING IS RECEIVED IN CONFIDENCE AND ITS CONTENTS MAY NOT BE DISCLOSED WITHOUT WRITTEN CONSENT OF CYPRESS SEMICONDUCTOR CORPORATION.

UNLESS OTHERWISE SPECIFIED ALL DIMENSIONS ARE IN MILLIMETERS STANDARD TOLERANCES ON: DECIMALS ANGLES .XX ± 0.05 ± 1° .XXX ± .XXXX +	DESIGNED BY	DATE	CYPRESS Company Confidential	TITLE PACKAGE OUTLINE, 28LD SNC 300 MILS SN28.3 (NARROW BODY)		
	DRAWN BY	DATE				
	CHECKED BY	DATE				
	APPROVED BY	DATE				
MATERIAL	N/A	DATE	SIZE	PART NO.	DWG NO	REV
FINISH	N/A	N/A	A	SN28.3	51-85092	*E
			SCALED TO FIT	N/A	SHEET 1	OF 1