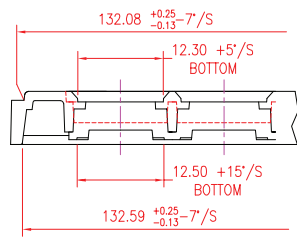
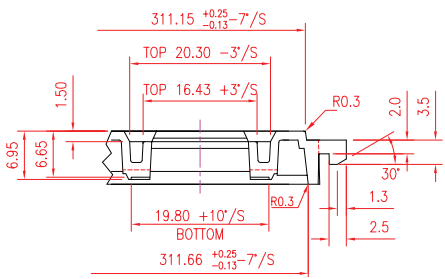
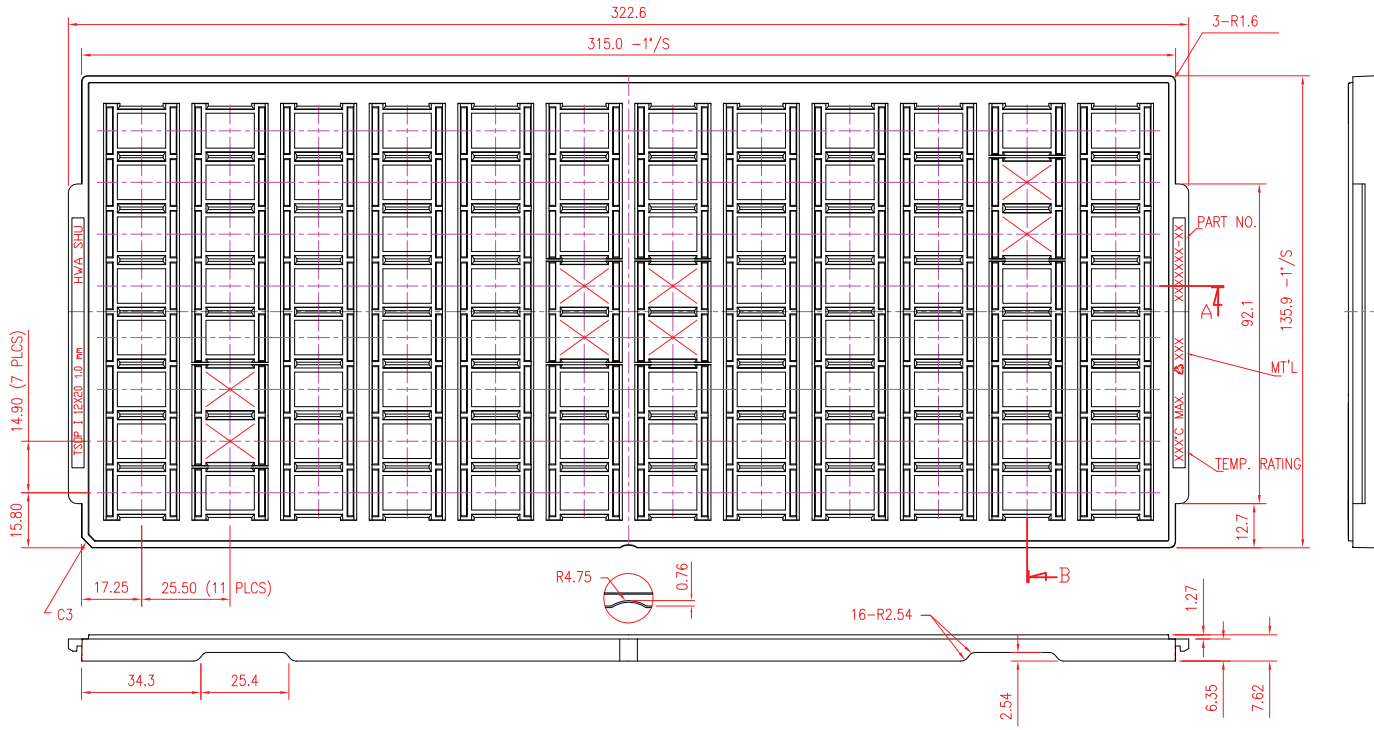


REVISIONS						
PAGE	ZONE	REV	ECN	DESCRIPTION	DATE	APPROVED
1	-	**	410781	NEW RELEASE (ECN MEMO#84)	11/30/05	
ALL	-	*A	3097564	UPDATE DRAWING BASED ON THE SUPPLIER'S LATEST DRAWING INCLUDE BOTTOM, ONE-CELL, TWO-CELL VIEWS ADDED TABLE FOR MATERIAL PROPERTIES CHANGE DRAWING TEMPLATE	12/15/10	QAD/KGL



- NOTES:
- (S.R. OHM/SQ.) MEANS SURFACE ELECTRIC RESISTIVITY OF THE TRAY. (ASTM D257)
 - THE MOLDED TRAY'S MATERIAL SHALL BE RIGID ENOUGH TO AVOID DAMAGE TO THE COMPONENTS DURING HANDLING, LOADING, BACKING, TESTING, SHIPPING AND PLACING.
 - TEMP. °C IS THE MAXIMUM OPERATING TEMPERATURE. THE EMPTY TRAY CAN BE SUBJECTED TO FOR 48 CONTINUOUS HOURS BAKING WITHOUT VIOLATING THE DIMENSIONAL TOLERANCE OF THE TRAY.
 - TRAYS ARE STACKABLE WITHOUT INTERFERENCE AND WILL NOT STICK TOGETHER DURING UNSTACKING OPERATION.
 - WARPAGE IS WITHIN 0.76 mm.
 - THE CELLS MARKED WITH CROSS SYMBOL ARE FOR VACUUM PICKUP AREA.
 - TOTAL USABLE CELLS 8X12=96.
 - THE TRAY MEETS JEDEC STANDARD.

S.R. (OHM/SQ.)	MATERIAL	COLOR	TEMP. (°C)	SUPPLIER P/N
1X10 ⁵ ~9X10 ⁹	PPE	BLACK	150°C MAX.	EA51220-10

UNLESS OTHERWISE SPECIFIED ALL DIMENSIONS ARE IN MILLIMETERS STANDARD TOLERANCES ON:	DESIGNED BY	DATE
	DRAWN BY AQO	DATE 12/15/10
	CHECKED BY AEL	DATE 12/15/10
	APPROVED BY QAD	DATE 12/15/10
MATERIAL SEE TABLE	APPROVED BY KGL	DATE 12/15/10
	APPROVED BY	DATE
DECIMALS .X ± 0.25 .XX ± 0.13 .XXX ±	ANGLES ± 1°	
FINISH		



TITLE
TRAY, TSOP 48 I 12X20 1.00MM (HWA SHU)

SIZE	PART NO.	DWG NO	REV
A	TZ122010-*	001-05892	*A

SCALED TO FIT ENG'G REV SHEET 1 OF 2

THIS DRAWING CONTAINS INFORMATION WHICH IS THE PROPRIETARY PROPERTY OF CYPRESS SEMICONDUCTOR CORPORATION. THIS DRAWING IS RECEIVED IN CONFIDENCE AND ITS CONTENTS MAY NOT BE DISCLOSED WITHOUT WRITTEN CONSENT OF CYPRESS SEMICONDUCTOR CORPORATION.

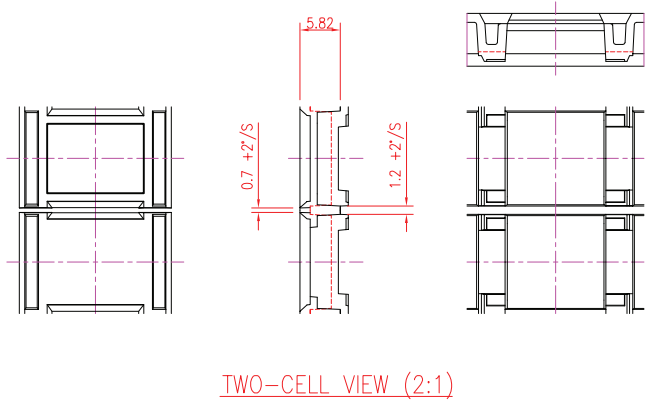
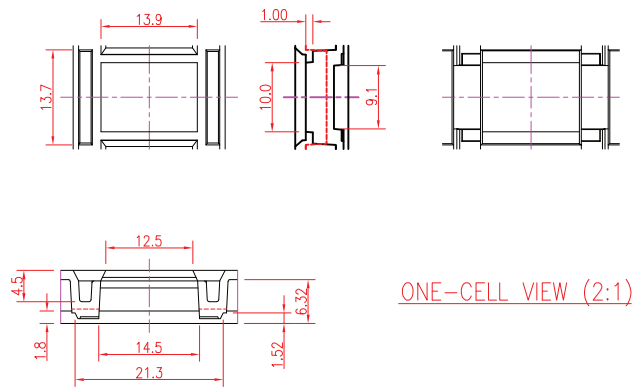
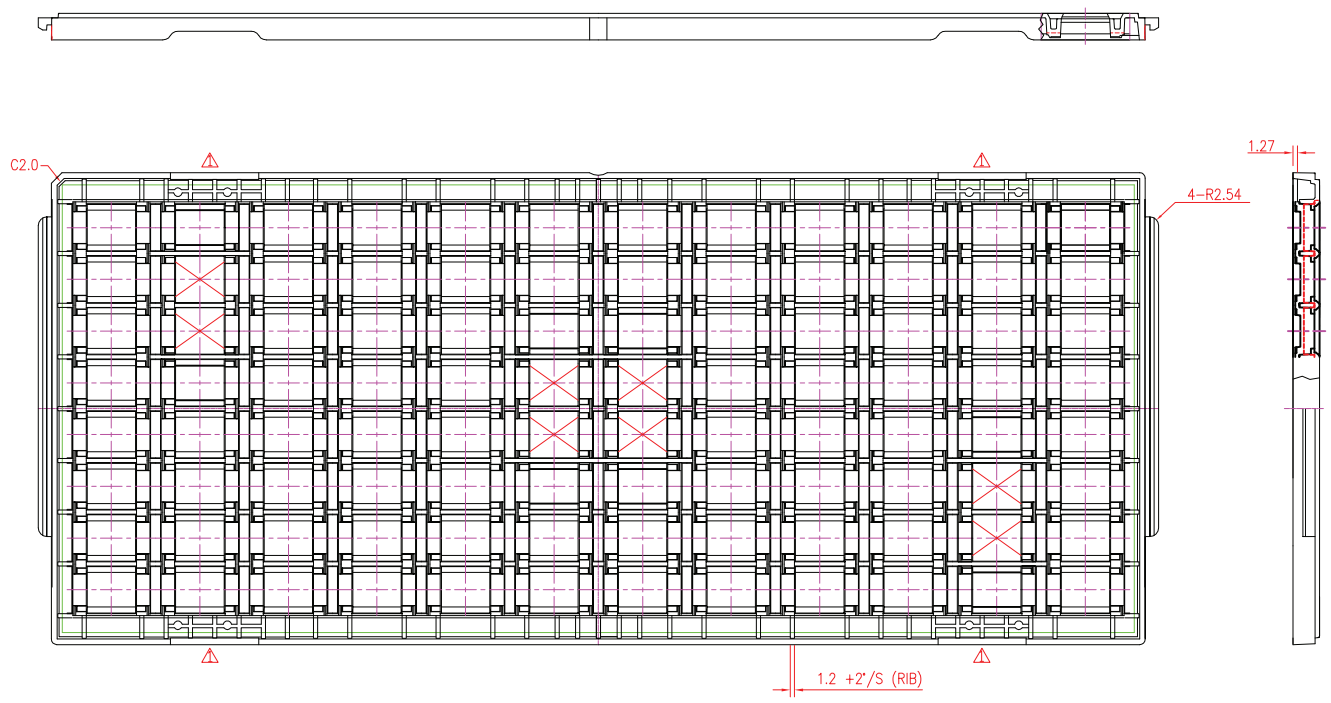
1 2 3 4 5 6

A

B

C

D



TITLE
TRAY, TSOP 48 I 12X20 1.00MM (HWA SHU)

SIZE A	PART NO. TZ122010-*	DWG NO 001-05892	REV *A
SCALED TO FIT		ENG'G REV	SHEET 2 OF 2

THIS DRAWING CONTAINS INFORMATION WHICH IS THE PROPRIETARY PROPERTY OF CYPRESS SEMICONDUCTOR CORPORATION. THIS DRAWING IS RECEIVED IN CONFIDENCE AND ITS CONTENTS MAY NOT BE DISCLOSED WITHOUT WRITTEN CONSENT OF CYPRESS SEMICONDUCTOR CORPORATION.

1 2 3 4 5 6