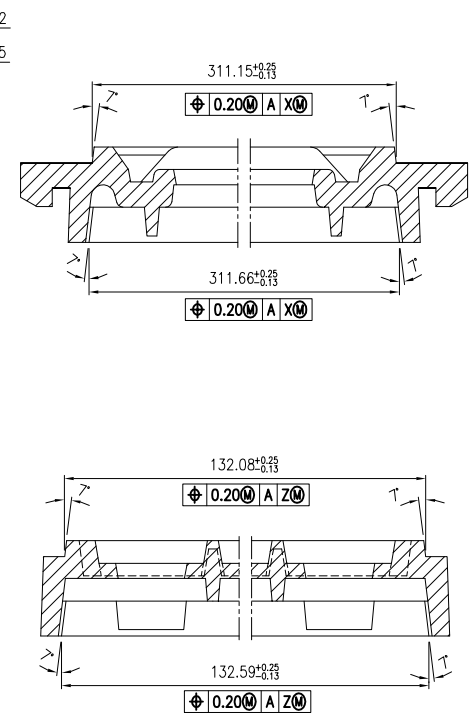
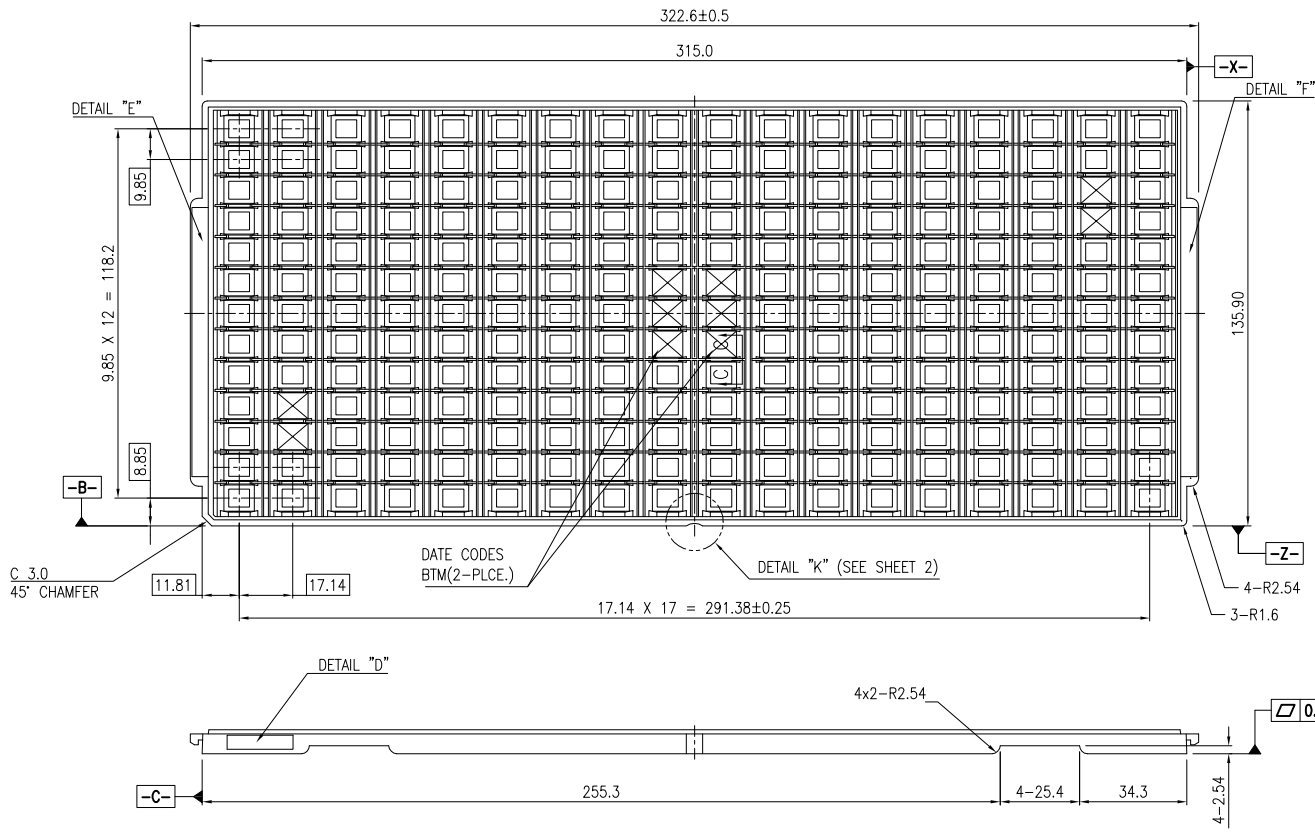


REVISIONS						
PAGE	ZONE	REV	ECN	DESCRIPTION	DATE	APPROVED
1	-	**	47385	NEW RELEASE	11/25/96	
ALL	-	*A	3125913	UPDATE DRAWING BASED ON SUPPLIER'S LATEST DRAWING ADDED TABLE FOR MATERIAL PROPERTIES CORRECTED SUPPLIER P/N FROM KS-8407 TO KS-8427 CHANGE DRAWING TEMPLATE	01/19/11	QAD/KGL
ALL	-	*B	3189586	CHANGE PART NO. FROM TZ8134K TO TZ8134-*	03/07/11	AZY/QAD/KGL



TRAY STACKING DETAIL
(SCALE:4/1)

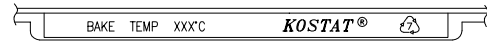
TSOP I 8 MM X 13.4 MM
KS - 8427



DETAIL E
(SCALE:2/1)



DETAIL D
(SCALE:2/1)



DETAIL F
(SCALE:2/1)

DATE DETAIL
(SCALE:2/1)

DESCRIPTION	MATERIAL	COLOR	TEMP °C	E S D
NON-BAKEABLE	ABS	BLUE,RED	50 °C	10 ¹⁰ TO 10 ¹² ohm/SQ.
BAKEABLE	KS-6120	BLACK	140 °C,150 °C	10 ⁸ TO 10 ¹¹ ohm/SQ.
BAKEABLE	KS-6110	BLACK	150 °C	10 ⁸ TO 10 ¹¹ ohm/SQ.
BAKEABLE	KS-6100	BLACK	180 °C	10 ⁸ TO 10 ¹¹ ohm/SQ.

*SUPPLIER P/N: KS-8427

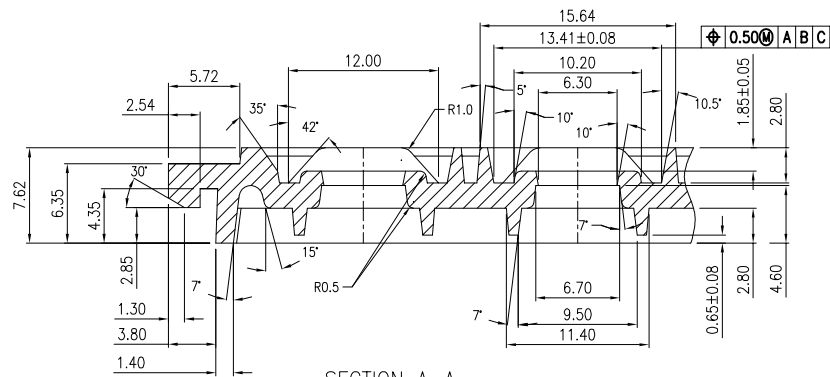
UNLESS OTHERWISE SPECIFIED ALL DIMENSIONS ARE IN MILLIMETERS STANDARD TOLERANCES ON: DECIMALS ANGLES .X ± 0.25 ± 1° .XX ± 0.13 .XXX ± 0.13	DESIGNED BY	DATE
	DRAWN BY AQJ	DATE 03/07/11
	CHECKED BY AEL	DATE 03/07/11
	APPROVED BY AZY	DATE 03/07/11
MATERIAL SEE TABLE	APPROVED BY QAD	DATE 03/07/11
FINISH	APPROVED BY KGL	DATE 03/07/11



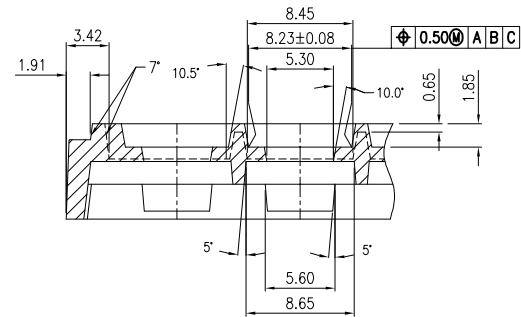
TITLE
28LD TSOP TRAY 8 X 13.4MM (KOSTAT)

SIZE A	PART NO. TZ8134-*	DWG NO 51-52025	REV *B
SCALED TO FIT	ENG'G REV	SHEET 1 OF 2	

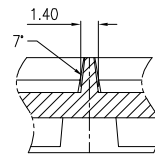
THIS DRAWING CONTAINS INFORMATION WHICH IS THE PROPRIETARY PROPERTY OF CYPRESS SEMICONDUCTOR CORPORATION. THIS DRAWING IS RECEIVED IN CONFIDENCE AND ITS CONTENTS MAY NOT BE DISCLOSED WITHOUT WRITTEN CONSENT OF CYPRESS SEMICONDUCTOR CORPORATION.



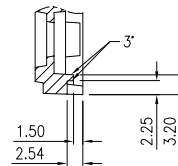
SECTION A-A
SCALE: 4/1



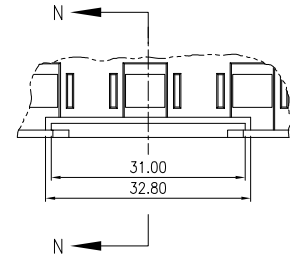
SECTION B-B
SCALE: 4/1



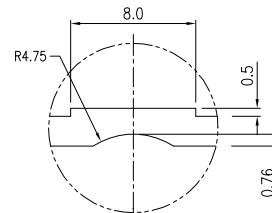
SECTION C-C
SCALE: 4/1



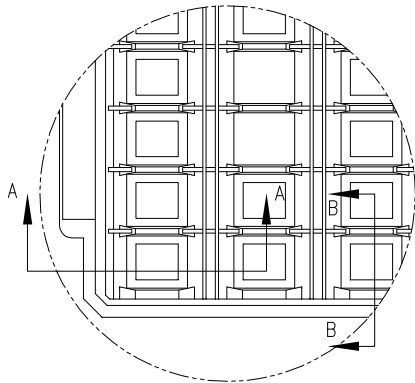
SECTION N-N
SCALE: 2/1



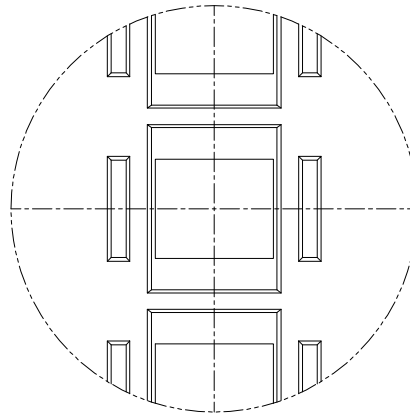
STACKING DETAIL
(SCALE:2/1)



BOTTOM VIEW K
(SCALE:5/1)



TOP VIEW
(SCALE:6/1)



BOTTOM VIEW
(SCALE:6/1)



CYPRESS
Company Confidential

TITLE
28LD TSOP TRAY 8 X 13.4MM (KOSTAT)

SIZE A	PART NO. TZ8134-*	DWG NO 51-52025	REV *B
SCALED TO FIT		ENG'G REV	SHEET 2 OF 2

THIS DRAWING CONTAINS INFORMATION WHICH IS THE PROPRIETARY PROPERTY OF CYPRESS SEMICONDUCTOR CORPORATION. THIS DRAWING IS RECEIVED IN CONFIDENCE AND ITS CONTENTS MAY NOT BE DISCLOSED WITHOUT WRITTEN CONSENT OF CYPRESS SEMICONDUCTOR CORPORATION.