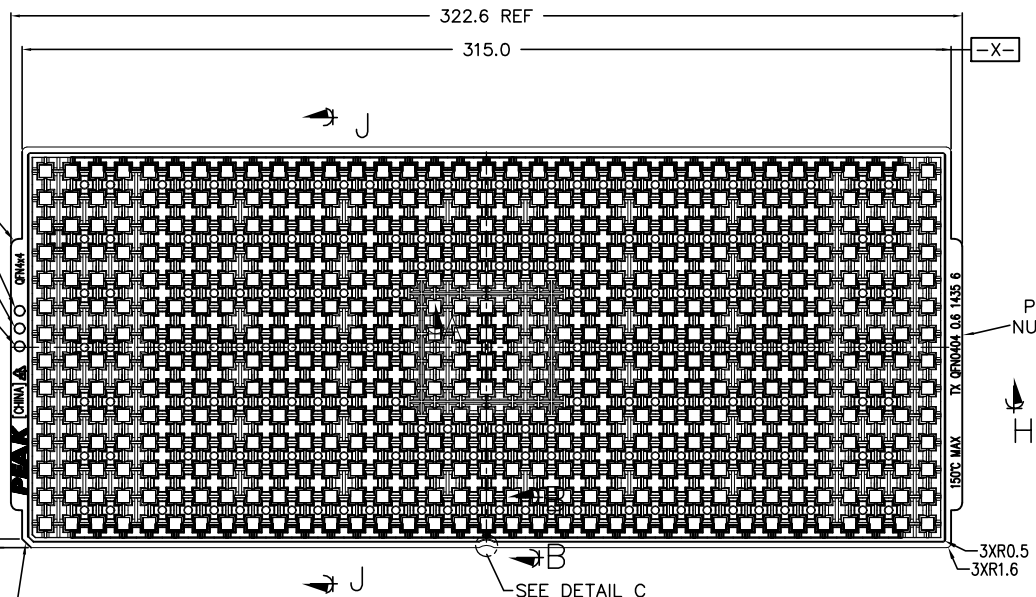
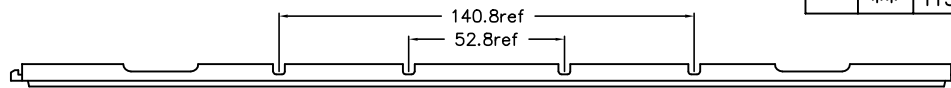
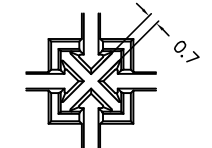
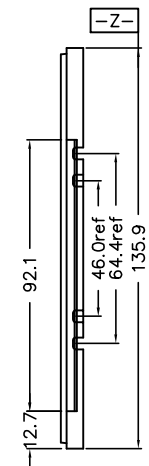


REVISIONS

REV	ECN	DESCRIPTION	DATE	APPROVED
**	1132783	NEW RELEASE	06/07/07	



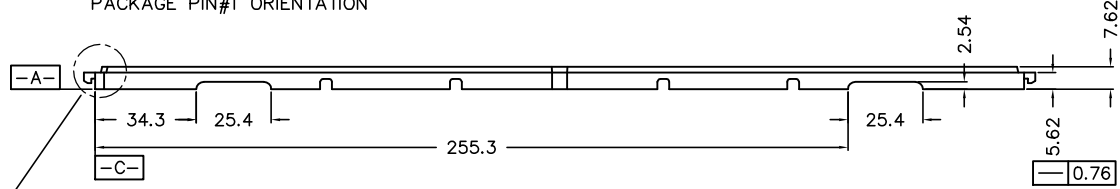
4*R2.54
MOLD #
MONTH CODE
YEAR CODE



bottom view of cell

3.0*45°
CHAMFER INDICATES
PACKAGE PIN#1 ORIENTATION

SEE DETAIL C



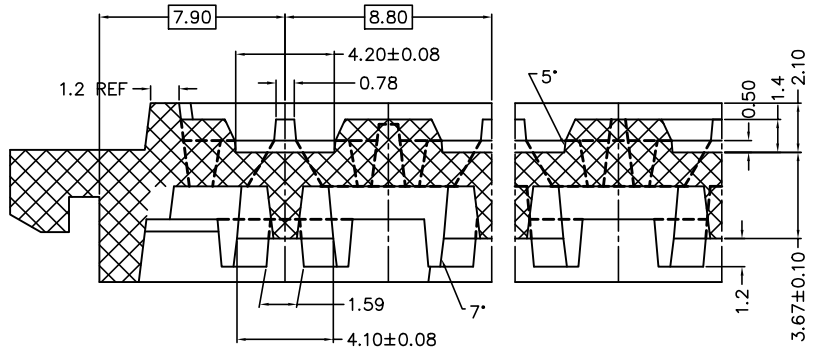
SEE DETAIL D

NOTES :

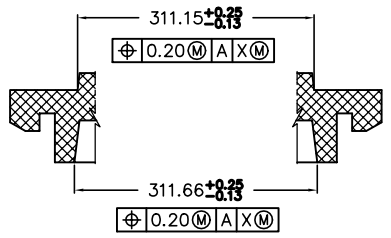
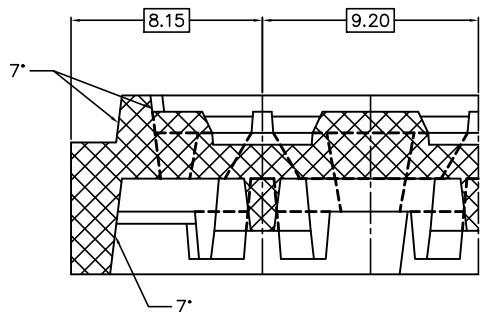
1. MATERIAL - PP6, ONLY BAKE AT 125°C
2. ALL DIMENSIONS ARE IN MILLIMETERS.
3. TOLERANCES - X.X=±0.25
- X.XX=±0.13
UNLESS OTHERWISE SPECIFIED.
THE DRAFT ANGLES FOR REFERENCES.
4. ESD - SURFACE RESISTIVITY
- 10⁵ TO 10¹¹ OHMS/SQ.
5. FOR PACKAGE - QFN4x4
6. PART NO. : TX QFN0404 0.6 1435 6
(PLEASE INDICATE ON PURCHASE ORDER).

UNLESS OTHERWISE SPECIFIED ALL DIMENSIONS ARE IN MILLIMETERS STANDARD TOLERANCES ON:		DESIGNED BY	DATE		
DECIMALS	ANGLES	DRAWN	DATE		
X ±	±	AZY	06/07/07	TITLE TRAY, QFN24 4X4X0.6MM (PEAK)	
X.X ±		CHK BY	DATE	SIZE	PART NO.
X.XX ±		APPROVED BY	DATE	A	TLB4X4-*
MATERIAL		APPROVED BY	DATE	DWG NO	001-16042
FINISH				REV	**
				SCALE	NTS
				SHEET 1 OF 2	

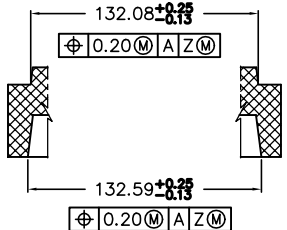
SECTION A-A



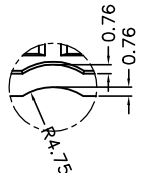
SECTION B-B



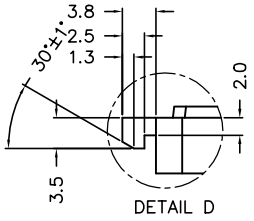
SECTION H-H



SECTION J-J



DETAIL C (BOTTOM VIEW)
NOTE: SCALLOP IS CENTERED ON SIDE OF TRAY



DETAIL D

UNLESS OTHERWISE SPECIFIED ALL DIMENSIONS ARE IN MILLIMETERS STANDARD TOLERANCES ON: DECIMALS X ± X.X ± X.XX ± ANGLES ±	DESIGNED BY	DATE				
	DRAWN	DATE				
	CHK BY	DATE	TITLE		SIZE	REV
	APPROVED BY	DATE	TRAY, QFN24 4X4X0.6MM (PEAK)		A	**
MATERIAL	APPROVED BY	DATE	PART NO.	DWG NO.		
FINISH			TLB4X4-*	001-16042		
			SCALE	NTS	SHEET 2 OF 2	