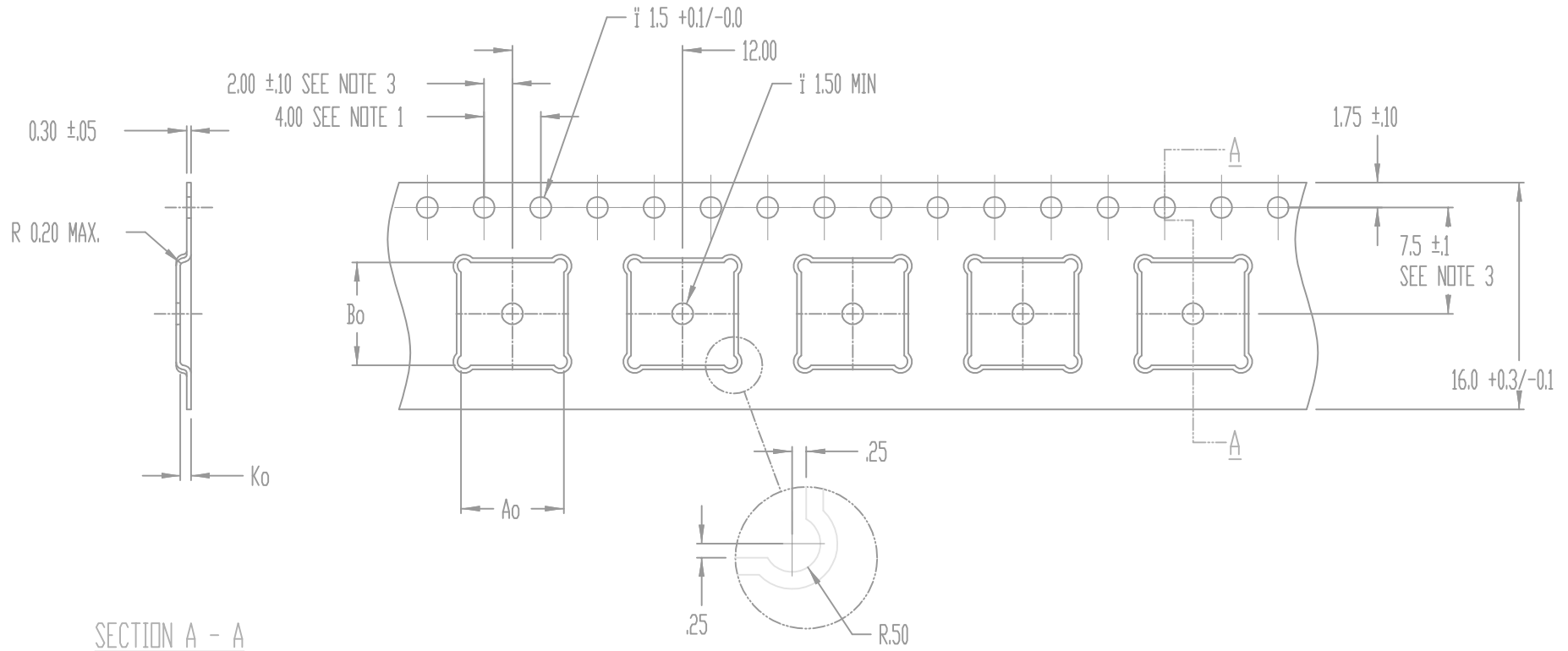


REVISIONS					
Zone	REV	ECN	DESCRIPTION	DATE	APPROVED
N/A	**	2919856	NEW RELEASE	04/21/10	N/A



$A_o = 7.25$
 $B_o = 7.25$
 $K_o = 0.75$

NOTES:

1. 10 SPROCKET HOLE PITCH CUMULATIVE TOLERANCE ± 0.2
2. CAMBER IN COMPLIANCE WITH EIA 481
3. POCKET POSITION RELATIVE TO SPROCKET HOLE MEASURED AS TRUE POSITION OF POCKET, NOT POCKET HOLE
4. A_o AND B_o ARE CALCULATED ON A PLANE AT A DISTANCE "R" ABOVE THE BOTTOM OF THE POCKET.

UNLESS OTHERWISE SPECIFIED		DESIGNED BY	N/A	DATE	N/A	 CYPRESS Company Confidential			
ALL DIMENSIONS ARE IN MILLIMETERS STANDARD TOLERANCES ON: DECIMALS .X = ± 0.2 .XX = ± 0.10 .XXX = ± 0.05		DRAWN BY	CNN	DATE	04/21/10				
ANGLES		CHK BY	CSME	DATE	04/21/10	TITLE			
MATERIAL		APPROVED BY	N/A	DATE	N/A	CARRIER TAPE, QFN 7X7X0.6MM (ADVANTEK)			
FINISH		APPROVED BY	N/A	DATE	N/A	SIZE	PART NO.	DWG NO	REV
						A	LB7X7CT-*	001-61110	**
SCALE						NTS	SHEET 1 OF 1		