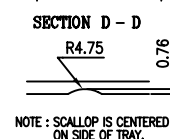
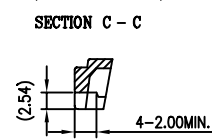
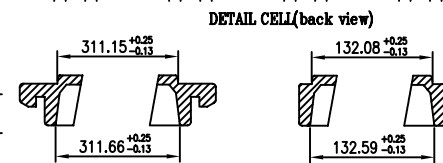
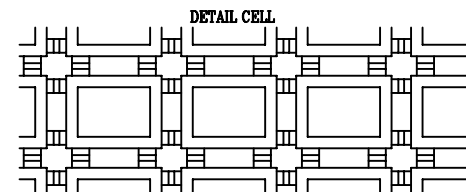
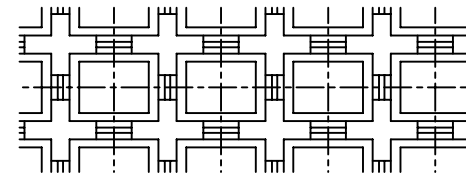
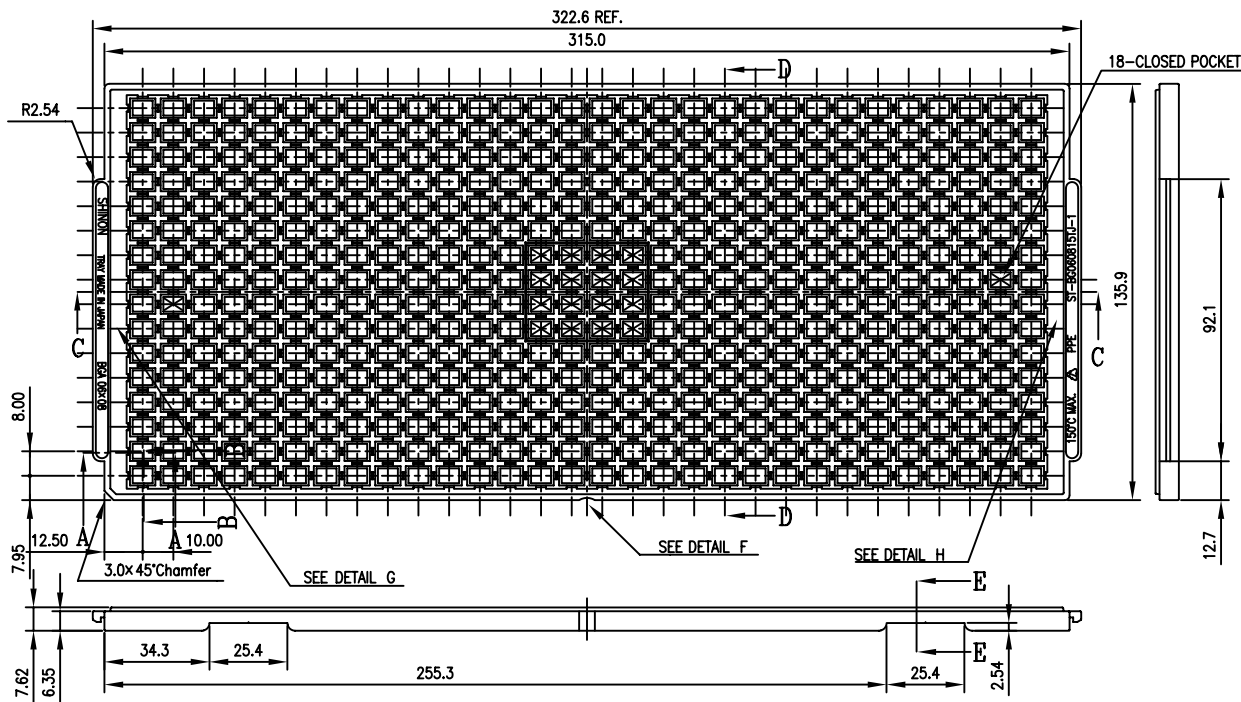


REVISIONS					
ZONE	REV	ENH	DESCRIPTION	DATE	APPROVED
	**	113925	NEW RELEASE	03/15/02	



TRAY PURCHASING INFORMATION

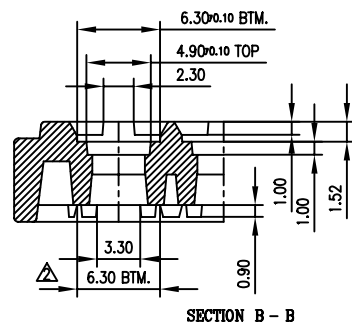
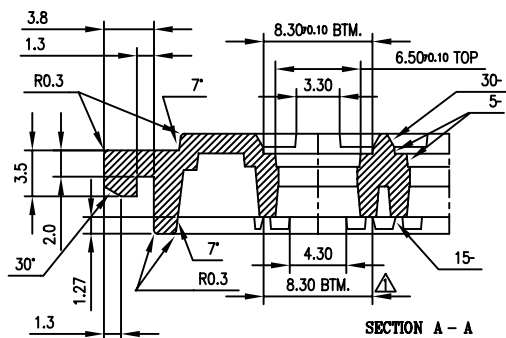
* VENDOR & TRAY DESIGNATOR
SHINON TRAY MADE IN JAPAN BGA 06X08

DETAIL G
* TEMPERATURE RATING & RECYCLE MARK & MATERIAL & PART NUMBER
150°C MAX. ♻️ PPE ST-BG060815TJ-1

DETAIL H

NOTES

1. SURFACE ELECTRIC RESISTIVITY: $1 \times 10^5 \sim 9 \times 10^9 \Omega/\square$. (BY TEST ASTM D257)
2. WARPAGE IS WITHIN 0.76mm.
3. THERE ARE 480 UNITS PER TRAY



SECTION A - A

SECTION B - B

UNLESS OTHERWISE SPECIFIED		DESIGNED BY	DATE	
ALL DIMENSIONS ARE IN MILLIMETERS UNLESS OTHERWISE SPECIFIED		HTN	03/15/02	
FINISH	PPE	APPROVED BY	SCALE	TITLE 48 VFBGA (6 X 8 X 1.0MM) SHIPPING TRAY PART NO. DTD NO. 51-52089 ST-BG060815TJ-1
MATERIAL		SCALE		REV **
FINISH		SCALE		SHEET 1 OF 1