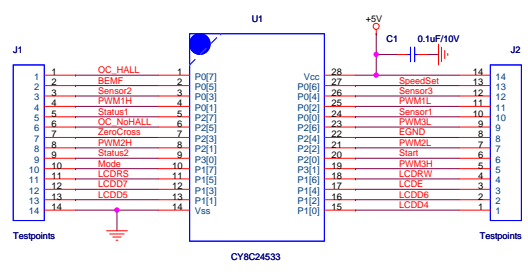
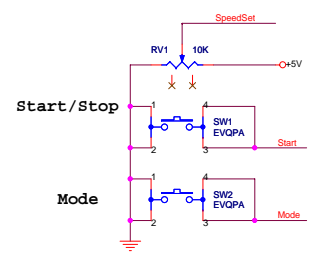


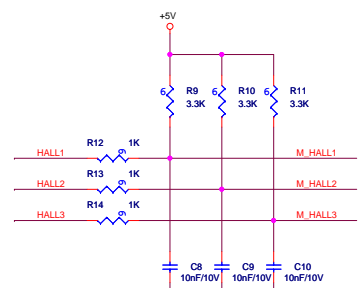
LED Display



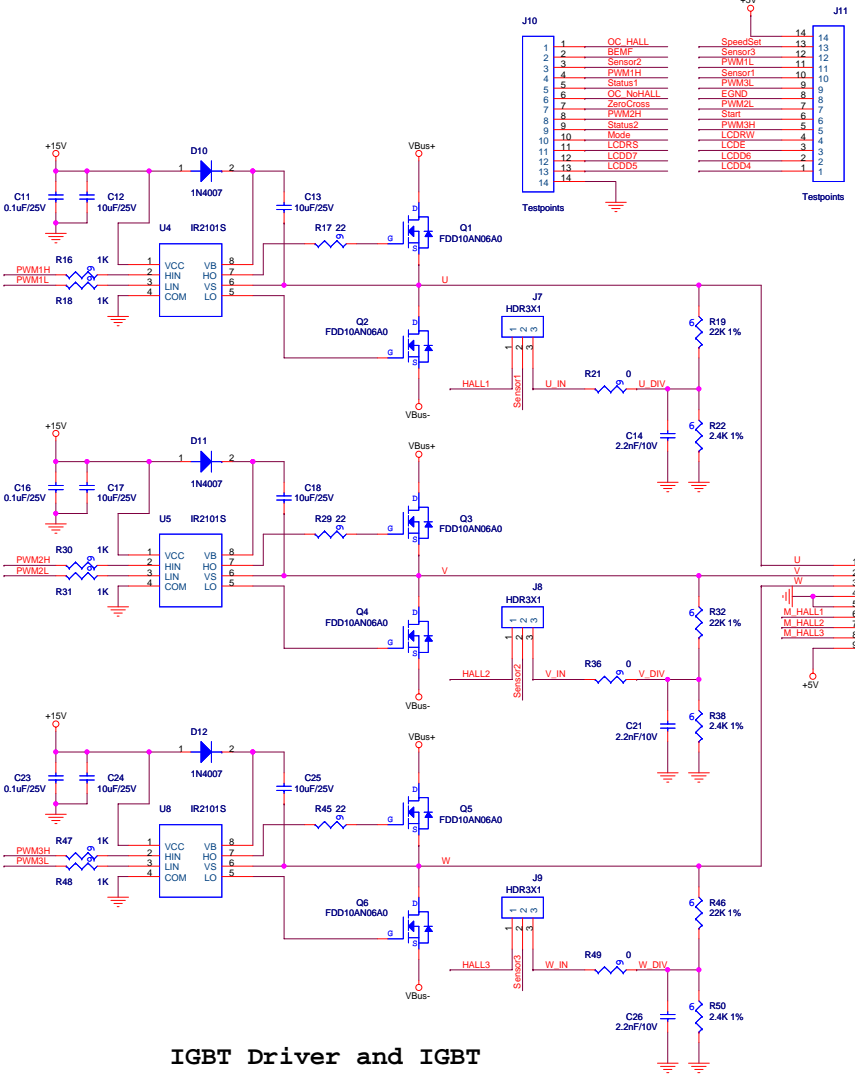
PSoC



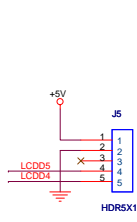
Start/Stop
Mode



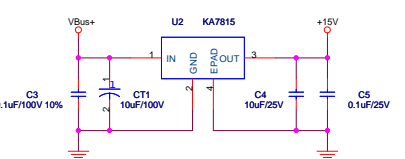
HALL Input



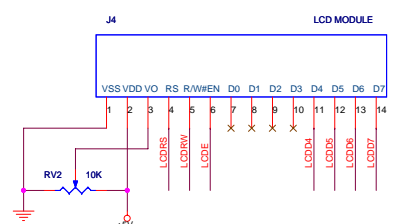
IGBT Driver and IGBT



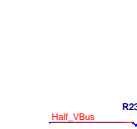
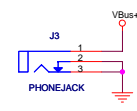
ISSP



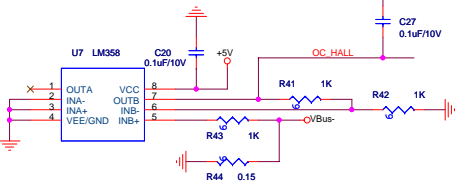
Power



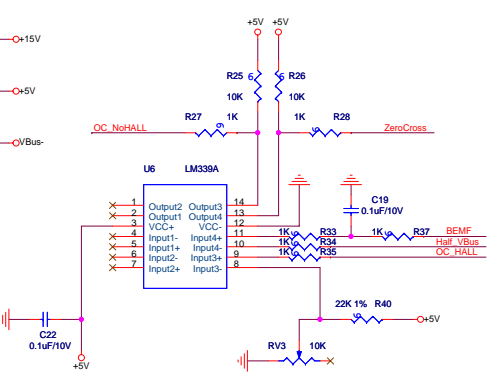
LCD Display



Test Point



Bus Current & Voltage Sample



ZeroCross Detection And
Over Current Protection

PCB: PDCR-9509
PCA: 121R-50900

| | | |
|-----------------------|------------------------|--------------|
| Cypress Semiconductor | | |
| File | CY3253-BLDC MAIN BOARD | |
| Size | Document Number | Rev |
| C | REF-14919 | ++ |
| Date: | Tuesday, July 22, 2008 | Sheet 1 of 1 |