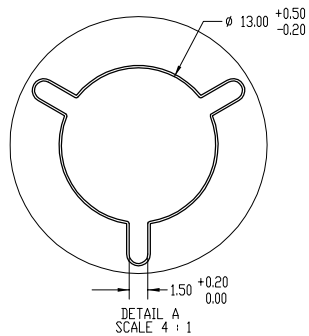
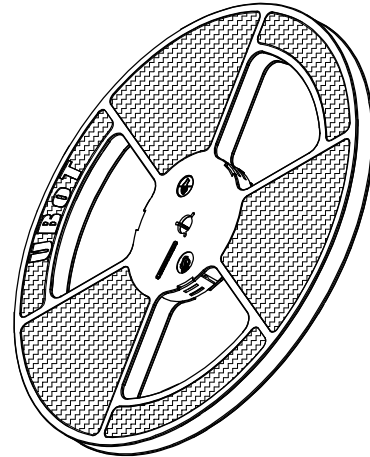
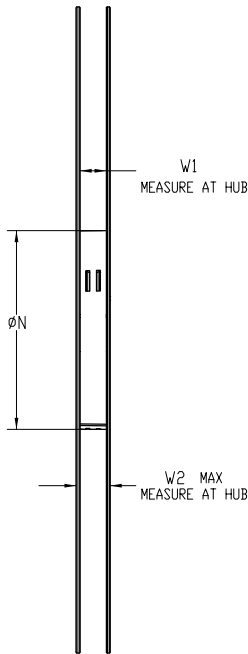
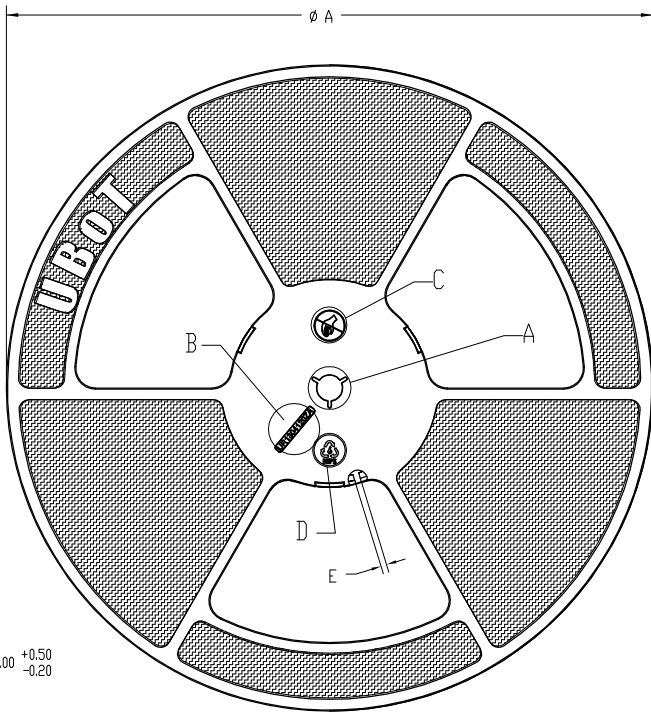


REVISIONS						
PAGE	ZONE	REV	ECN	DESCRIPTION	DATE	APPROVED
1	-	**	765840	NEW RELEASE	02/09/07	
1	-	*A	3161372	CHANGE DRAWING TEMPLATE	02/03/11	



PART NUMBER  
DETAIL B  
SCALE 1 : 1



ANTI-STATIC LOGO  
DETAIL C  
SCALE 1 : 1



RECYCLE SYMBOL  
DETAIL D  
SCALE 1 : 1

- NOTES:
1. INTERPRET DIMENSIONS AND TOLERANCES IN ACCORDANCE WITH ASME Y14.5M-1994.
  2. UNLESS OTHERWISE SPECIFIED, ELECTRONICALLY TRANSMITTED FILES ARE UNCONTROLLED DOCUMENTS.
  3. UNLESS OTHERWISE SPECIFIED 1" - 2" DRAFT ON ALL VERTICAL SURFACES.
  4. CHANGES TO THIS PRINT MUST BE INITIATED BY AN ECO. THE ECO SHALL BE CONFIGURED TO NOTIFY CUSTOMER IN THE EVENT OF CHANGE.
  5. ESD-SURFACE RESISTIVITY 1e+5 TO 1e+11 OHMS/SQ.
  6. REEL COMPLIANT WITH EIA SPECIFICATION.
  7. PLEASE INDICATE PART NUMBER ON PURCHASE ORDER.
  8. FLANGE WARPAGE .3MM MAX.

P/N		PRODUCT SPECIFICATIONS					
CML	UBoT	TAPE WIDTH	ØA ±2.0	ØN ±1.0	W1	W2 (MAX)	E (MIN)
TX12-04	UR1304120ZA	12MM	330	101.6	12.4 <sup>±.2</sup> / <sub>0</sub>	18.4	4.8
RL-04B	UR1304160ZA	16MM	330	101.6	16.4 <sup>±.2</sup> / <sub>0</sub>	22.4	4.8
TX24-04	UR1304240ZA	24MM	330	101.6	24.4 <sup>±.2</sup> / <sub>0</sub>	30.4	4.8
RL-04	UR1304320ZA	32MM	330	101.6	32.4 <sup>±.2</sup> / <sub>0</sub>	38.4	4.8

UNLESS OTHERWISE SPECIFIED ALL DIMENSIONS ARE IN MILLIMETERS STANDARD TOLERANCES ON:		DESIGNED BY	DATE
DECIMALS	ANGLES	DRAWN BY	DATE
.X ± 0.25	X ± 30 DEG	CNN	02/03/11
.XX ± 0.13	X.X ± 15 DEG	CHECKED BY	DATE
.XXX ±		CSME	02/03/11
		APPROVED BY	DATE
		QAD	02/03/11
MATERIAL	SEE NOTES	APPROVED BY	DATE
FINISH		KGL	02/03/11
		APPROVED BY	DATE

TITLE  
REEL, 13" DIA. ANTISTATIC/ 4" HUB (UBoT)

SIZE A	PART NO. SEE TABLE	DWG NO 001-13030	REV *A
-----------	-----------------------	---------------------	-----------

SCALED TO FIT    ENG'G REV    SHEET 1 OF 1

THIS DRAWING CONTAINS INFORMATION WHICH IS THE PROPRIETARY PROPERTY OF CYPRESS SEMICONDUCTOR CORPORATION. THIS DRAWING IS RECEIVED IN CONFIDENCE AND ITS CONTENTS MAY NOT BE DISCLOSED WITHOUT WRITTEN CONSENT OF CYPRESS SEMICONDUCTOR CORPORATION.