



S6AL211A31

**ASSP 4ch LED Driver IC for Intelligent
Lighting Hardware Manual**

Doc. No. 002-08543 Rev. *A

Cypress Semiconductor
198 Champion Court
San Jose, CA 95134-1709
<http://www.cypress.com>



© Cypress Semiconductor Corporation, 2014-2016. This document is the property of Cypress Semiconductor Corporation and its subsidiaries, including Spansion LLC ("Cypress"). This document, including any software or firmware included or referenced in this document ("Software"), is owned by Cypress under the intellectual property laws and treaties of the United States and other countries worldwide. Cypress reserves all rights under such laws and treaties and does not, except as specifically stated in this paragraph, grant any license under its patents, copyrights, trademarks, or other intellectual property rights. If the Software is not accompanied by a license agreement and you do not otherwise have a written agreement with Cypress governing the use of the Software, then Cypress hereby grants you a personal, non-exclusive, nontransferable license (without the right to sublicense) (1) under its copyright rights in the Software (a) for Software provided in source code form, to modify and reproduce the Software solely for use with Cypress hardware products, only internally within your organization, and (b) to distribute the Software in binary code form externally to end users (either directly or indirectly through resellers and distributors), solely for use on Cypress hardware product units, and (2) under those claims of Cypress's patents that are infringed by the Software (as provided by Cypress, unmodified) to make, use, distribute, and import the Software solely for use with Cypress hardware products. Any other use, reproduction, modification, translation, or compilation of the Software is prohibited.

TO THE EXTENT PERMITTED BY APPLICABLE LAW, CYPRESS MAKES NO WARRANTY OF ANY KIND, EXPRESS OR IMPLIED, WITH REGARD TO THIS DOCUMENT OR ANY SOFTWARE OR ACCOMPANYING HARDWARE, INCLUDING, BUT NOT LIMITED TO, THE IMPLIED WARRANTIES OF MERCHANTABILITY AND FITNESS FOR A PARTICULAR PURPOSE. To the extent permitted by applicable law, Cypress reserves the right to make changes to this document without further notice. Cypress does not assume any liability arising out of the application or use of any product or circuit described in this document. Any information provided in this document, including any sample design information or programming code, is provided only for reference purposes. It is the responsibility of the user of this document to properly design, program, and test the functionality and safety of any application made of this information and any resulting product. Cypress products are not designed, intended, or authorized for use as critical components in systems designed or intended for the operation of weapons, weapons systems, nuclear installations, life-support devices or systems, other medical devices or systems (including resuscitation equipment and surgical implants), pollution control or hazardous substances management, or other uses where the failure of the device or system could cause personal injury, death, or property damage ("Unintended Uses"). A critical component is any component of a device or system whose failure to perform can be reasonably expected to cause the failure of the device or system, or to affect its safety or effectiveness. Cypress is not liable, in whole or in part, and you shall and hereby do release Cypress from any claim, damage, or other liability arising from or related to all Unintended Uses of Cypress products. You shall indemnify and hold Cypress harmless from and against all claims, costs, damages, and other liabilities, including claims for personal injury or death, arising from or related to any Unintended Uses of Cypress products.

Cypress, the Cypress logo, Spansion, the Spansion logo, and combinations thereof, PSoC, CapSense, EZ-USB, F-RAM, and Traveo are trademarks or registered trademarks of Cypress in the United States and other countries. For a more complete list of Cypress trademarks, visit cypress.com. Other names and brands may be claimed as property of their respective owners.

Preface



Thank you for your continued use of Cypress semiconductor products.
Read this manual and "[Data Sheet](#)" thoroughly before using products in this series.

Purpose of this manual and intended readers

This manual explains the functions and operations of this product and describes how it is used. The manual is intended for engineers engaged in the actual development of products using this product.

Note:

This manual explains the configuration and operation, but does not cover the specifics of each device in the series. Users should refer to the respective data sheets of devices for device-specific details.

Contents



1. Product Overview	5
2. About Corresponded DALI Standard	6
2.1 Terminal connection	7
2.2 Corresponded Commands.....	9
2.2.1 Corresponded Commands of Device type 0	9
2.2.2 Corresponded Commands of Device type 6	12
2.3 Dimming curve.....	16
2.3.1 DALI logarithm curve	16
2.3.2 DALI Linear curve	17
2.4 Memory Bank	18
2.4.1 Direct memory bank access mode.....	19
2.4.2 I ² C Data format and timing.....	20
2.4.3 Command of Direct memory bank access mode	20
2.4.4 Memory map of memory bank	21
3. Major Changes	23
4. Revision History	24
Document Revision History	24

1. Product Overview



S6AL211A31 corresponds to these specifications.

- Communication Interface: DALI
- VIN voltage: 24V
- Dimming type: C

2. About Corresponded DALI Standard



This product corresponds to DALI communication interface for dimming and color control function.

- Standard: IEC 62386-101 Edition 1.0, -102 Edition 1.0 (Device type 0), -207 Edition 1.0 (Device type 6)
- Master / Slave mode
- Two-wire half-duplex communication
- Transmission rate : 1200bps \pm 10%

It is necessary of the external IC, the isolation and level conversion circuits.

The VARIABLE in IEC 62386-102 and IEC 62386-207 is set the DEFAULT VALUE.

2.1 Terminal connection

Table 1. Table Terminal connection for DALI

Pin No.	Pin Name	I/O	Terminal connection place	
1	DGND	-	Ground	
2	BIAS2	O	Connect By-pass capacitor. (Do not connect external load)	
3	BIAS	O	Connect By-pass capacitor. (Do not connect external load)	
4	VIN	-	DC 24V Power supply	
5	DRV_1	O	Connect external switching FET1 gateof current control.	
6	DRV_2	O	Connect external switching FET2 gateof current control.	
7	VIN	-	DC 24V Power supply	
8	DRV_3	O	Connect external switching FET3 gateof current control.	
9	DRV_4	O	Connect external switching FET4 gateof current control.	
10	DIN1	I	Mode setting Pin 1 Usually use: Inputto VO pin output level. When you use the Direct memory bank access mode: Input to GND level.	
11	DIN2	I	Unused Pin Connect to GND level.	
12	SCL	I/O	Connect I ² C bus Clock.	Connect to VO pin if you do not use the Direct memory bank access mode.
13	SDA	I/O	Connect I ² C bus Data.	
14	SH_1	O	Connect external switching FET1 gate of PWM dimming control.	
15	SH_2	O	Connect external switching FET2gate of PWM dimming control.	
16	AGND	-	Ground	
17	SH_3	O	Connect external switching FET3gate of PWM dimming control.	
18	SH_4	O	Connect external switching FET4gate of PWM dimming control.	
19	TEMP1	I	Connect Temperature sensor 1.	
20	TEMP2	I	Connect Temperature sensor 2.	
21	TEMP3	I	Connect Temperature sensor 3.	
22	TEMP4	I	Connect Temperature sensor 4.	
23	AGND	-	Ground	
24	CS_1P	I	Connect LED current sense1 of High side.	
25	CS_1N	I	Connect LED current sense 1 of Low side.	
26	CS_2P	I	Connect LED current sense2of High side.	
27	CS_2N	I	Connect LED current sense 2of Low side.	
28	CS_3P	I	Connect LED current sense3of High side.	
29	CS_3N	I	Connect LED current sense 3of Low side.	
30	CS_4P	I	Connect LED current sense4of High side.	
31	CS_4N	I	Connect LED current sense 4of Low side.	
32	PCNT	O	IC status output Pin	

Pin No.	Pin Name	I/O	Terminal connection place
33	TEST	I	Exclusive use of the Test Connect to BIAS3Pin.
34	IF1	I	Communication interface (DALI/UART) data input Pin Connect to DALI RX.
35	IF2	O	Communication interface (DALI/UART) data output Pin Connect to DALI TX.
36	AGND	-	Ground
37	SENSE1	I	Unused Pin Connect to GND level.
38	SENSE2/ADD2	I	Unused Pin Connect to GND level.
39	SENSE3/ADD3	I	Unused Pin Connect to GND level.
40	SENSE4/ADD4	I	Unused Pin Connect to GND level.
41	ADD5	I	DALI I interface diagnosis circuit connection Pin Normal mode: Input to VO pin output level. If fault is detected: Input to GND level.
42	ADD6	I	DALI Physical Selection setting Pin Normal mode: Input to GND level. Physical Selection mode: Input to VO pin output level.
43	ADD7	I	Unused Pin Connect to GND level.
44	ADD8	I	Unused Pin Connect to GND level.
45	SP	I	Exclusive use of the Test Connect to BIAS3Pin.
46	BIAS3	O	Connect By-pass capacitor. (Do not connect external load)
47	AGND	-	Ground
48	VO	O	3V LDO output Pin Connect Temperature sensor of power supply side. Connect Other 3V loads.

2.2 Corresponded Commands

2.2.1 Corresponded Commands of Device type 0

The commands of DALI IEC 62386-102 Edition 1.0 (Device type 0) with which this product corresponds is shown below.

Table 2. Arc Power control commands

Number	Command
Direct arc power control command	
-	DIRECT ARC POWER CONTROL
Indirect arc power control command	
0	OFF
1	UP
2	DOWN
3	STEP UP
4	STEP DOWN
5	RECALL MAX LEVEL
6	RECALL MIN LEVEL
7	STEP DOWN AND OFF
8	ON AND STEP UP
9	ENABLE DAPC SEQUENCE
10 to 15	RESERVED
16 to 31	GO TO SCENE

Table 3. Configuration commands

Number	Command
General Configuration commands	
32	RESET
33	STORE ACTUAL LEVEL IN THE DTR
34 to 41	RESERVED
Arc power parameters settings	
42	STORE THE DTR AS MAXLEVEL
43	STORE THE DTR AS MINLEVEL
44	STORE THE DTR AS SYSTEM FAILURE LEVEL
45	STORE THE DTR AS POWER ON LEVEL
46	STORE THE DTR AS FADE TIME
47	STORE THE DTR AS FADE RATE
48 to 63	RESERVED
64 to 79	STORE THE DTR AS SCENE
80 to 95	REMOVE FROM SCENE
96 to 111	ADD TO GROUP
112 to 127	REMOVE FROM GROUP
128	STORE DTR AS SHORT ADDRESS
129	ENABLE WRITE MEMORY
130 to 143	RESERVED

Table 4. Query commands

Number	Command
Queries related to status information	
144	QUERY STATUS
145	QUERY CONTROL GEAR
146	QUERY LAMP FAILURE
147	QUERY LAMP POWER ON
148	QUERY LIMIT ERROR
149	QUERY RESET STATE
150	QUERY MISSING SHORTADDRESS
151	QUERY VERSION NUMBER
152	QUERY CONTENT DTR
153	QUERY DEVICE TYPE
154	QUERY PHYSICAL MINIMUM LEVEL
155	QUERY POWER FAILURE
156	QUERY CONTENT DTR1
157	QUERY CONTENT DTR2
158, 159	RESERVED
Queries related to arc power parameter settings	
160	QUERY ACTUAL LEVEL
161	QUERY MAX LEVEL
162	QUERY MIN LEVEL
163	QUERY POWER ON LEVEL
164	QUERY SYSTEM FAILURE LEVEL
165	QUERY FADE TIME/FADE RATE
166 to 175	RESERVED
Queries related to system parameter settings	
176 to 191	QUERY SCENE LEVEL (SCENES 0-15)
192	QUERY GROUPS 0-7
193	QUERY GROUPS 8-15
194	QUERY RANDOM ADDRESS (H)
195	QUERY RANDOM ADDRESS (M)
196	QUERY RANDOM ADDRESS (L)
197	READ MEMORY LOCATION
198 to 223	RESERVED

Table 5. Application extended Commands

Number	Command
Application extended commands	
224 to 254	For device type 6 (207)
255	QUERY EXTENDED VERSION NUMBER

Table 6. Special Commands

Number	Command
Special commands	
256	TERMINATE
257	DATA TRANSFER REGISTER(DTR)
258	INITIALISE
259	RANDOMISE
260	COMPARE
261	WITHDRAW
262	RESERVED
263	RESERVED
264	SEARCHADDRH
265	SEARCHADDRM
266	SEARCHADDRL
267	PROGRAM SHORT ADDRESS
268	VERIFY SHORT ADDRESS
269	QUERY SHORT ADDRESS
270	PHYSICAL SELECTION
271	RESERVED

Table 7. Extended special Commands

Number	Command
Extended special commands	
272	ENABLE DEVICE TYPE X
273	DATA TRANSFER REGISTER 1 (DTR1)
274	DATA TRANSFER REGISTER 2 (DTR2)
275	WRITE MEMORY LOCATION

2.2.2 Corresponded Commands of Device type 6

The commands of DALI IEC 62386-207 Edition 1.0 (Device type 6) with which this product corresponds is shown below.

Table 8. Queries related to status information

Number	Command
When received"Command 272 ENABLE DEVICE TYPE 6", replaced the commands	
146	QUERY LAMP FAILURE
153	QUERY DEVICE TYPE

Table 9. Application extended configuration commands

Number	Command
Application extended configuration commands	
227	SELECT DIMMING CURVE
228	STORE DTR AS FAST FADE TIME
229	RESERVED
230, 231	RESERVED
232 to 235	RESERVED

Table 10. Application extended query commands

Number	Command
Application extended query commands	
236	RESERVED
237	QUERY GEAR TYPE
238	QUERY DIMMING CURVE
239	QUERY POSSIBLE OPERATING MODES
240	QUERY FEATURES
241	QUERY FAILURE STATUS
242	QUERY SHORT CIRCUIT
243	QUERY OPEN CIRCUIT
244	QUERY LOAD DECREASE
245	QUERY LOAD INCREASE
246	Do not corresponded : QUERY CURRENT PROTECTOR ACTIVE ^[1]
247	Do not corresponded : QUERY THERMAL SHUT DOWN ^[1]
248	QUERY THERMAL OVERLOAD
249	Do not corresponded : QUERY REFERNCE RUNNING
250	Do not corresponded : QUERY REFERNCE MEASUREMENT FAILD
251	Do not corresponded : QUERY CURRENT PROTECTOR ENABLED
252	QUERY OPERATING MODE
253	QUERY FAST FADE TIME
254	QUERY MIN FAST FADE TIME
255	QUERY EXTENDED VERSION NUMBER

[1]: This product is integrated feature of output current protector and thermal shutdown. However, the composition of those features differs from the DALI specification.

Table 11. Extended special commands

Number	Command
Extended special commands	
272	ENABLE DEVICE TYPE 6

Table 12. Detail of query response

Number	Command	Details		
		Bit	Content	Response
239	QUERY POSSIBLE OPERATING MODES	0	PWM mode is possible	0 or 1 1: Dimming type A or C ^[1]
		1	AM mode is possible	0 : Do not care
		2	output is current controlled	0 or 1 1: Dimming type B or C ^[1]
		3	high current pulse mode	0: Do not care
		4	Not use	0
		5	Not use	0
		6	Not use	0
		7	Not use	0
240	QUERY FEATURES	0	short circuit detection can be queried	1
		1	open circuit detection can be queried	1
		2	detection of load decrease can be queried	1
		3	detection of load increase can be queried	1
		4	current protector is implemented and can be queried	0 ^[2]
		5	thermal shut down can be queried	0 ^[2]
		6	light level reduction due to over temperature can be queried	1
		7	physical selection supported	1
241	QUERY FAILURE STATUS	0	short circuit	0 or 1 1: Protection state
		1	open circuit	0 or 1 1: Protection state
		2	load decrease	0 or 1 1: Protection state
		3	load increase	0 or 1 1: Protection state
		4	current protector active	0: Do not care
		5	thermal shut down	0: Do not care
		6	thermal overload with light level reduction	0 or 1 1: Protection state
		7	reference measurement failed	0: Do not care

Number	Command	Details		
		Bit	Content	Response
252	QUERY OPERATING MODE	0	PWM mode active	0 or 1 1: Dimming type A or C ^[1]
		1	AM mode active	0: Do not care
		2	output is current controlled	0 or 1 1: Dimming type B or C ^[1]
		3	high current pulse mode is active	0: Do not care
		4	non-logarithmic dimming curve is active	0 or 1 1: Linear curve
		5	Not use	0
		6	Not use	0
		7	Not use	0

[1]:The Product parts number is assigned to each Dimming type.

[2]:This product is integrated feature of output current protector and thermal shutdown. However, the composition of those features differs from the DALI specification.

Table 13. Comparison of Protection function and DALI query

Protection function	state	DRV_1 to 4 SH_1 to 4	PCNT	DALI Query response
Initializing operation	Initializing operation	DRV_x="H", SH_x="L" Stop Switching (All channels)	L	-
Normal Dimming operation	Normal Dimming operation	Switching	L	-
Output Over Current Protection	Dimming Protection	Switching (All channels) - Output current -10% - Disable output current increase	L	QUERY LAMP FAILURE, QUERY FAILURE STATUS: load increase QUERY LOAD INCREASE
Output Short Circuit Protection	Lights out Protection-2	DRV_x="H", SH_x="L" Stop Switching (All channels)	L	QUERY LAMP FAILURE QUERY FAILURE STATUS: short circuit QUERY SHORT CIRCUIT
Max Duty Protection	Lights out Protection-2	DRV_x="H", SH_x="L" Stop Switching (All channels)	L	QUERY LAMP FAILURE, QUERY FAILURE STATUS: load decrease, open circuit QUERY LOAD DECREASE QUERY OPEN CIRCUIT
Input Over Voltage Protection	Lights out Protection-1	DRV_x="H", SH_x="L" Stop Switching (All channels)	L	QUERY LAMP FAILURE ^[1]
Input Low Voltage Protection	Dimming Protection	Switching (All channels) - Output current -10% - Disable output current increase	L	QUERY LAMP FAILURE, QUERY FAILURE STATUS: load increase QUERY LOAD INCREASE
Input Under Voltage Shutdown	Lights out Protection-3	DRV_x="H", SH_x="L" Stop Switching (All channels)	X	(Because of IC shutdown)
External Over Temperature Protection	Dimming Protection	Switching (All channels) - Output current -10% - Disable output current increase	L	QUERY LAMP FAILURE, QUERY FAILURE STATUS: thermal overload with light level reduction QUERY THERMAL OVERLOAD
Internal Over Temperature Protection	Dimming Protection	Switching (All channels) - Output current -10% - Disable output current increase	L	QUERY LAMP FAILURE QUERY FAILURE STATUS: thermal overload with light level reduction QUERY THERMAL OVERLOAD
Internal Over Temperature Shutdown	Lights out Protection-3	DRV_x="H", SH_x="L" Stop Switching (All channels)	H	(Because of IC shutdown)
VO Under Voltage Protection	Dimming Protection	Switching (All channels) - Output current -10% - Disable output current increase	L	QUERY LAMP FAILURE, QUERY FAILURE STATUS: thermal overload with light level reduction QUERY THERMAL OVERLOAD ^[2]

[1]: After "Restart wait time", IC is initialized for return from the protection state.

[2]: The VO Under Voltage Protection is detected by TEMPx terminals. VO Under Voltage protection is indicated to be the THERMAL OVERLOAD on DALI query response.

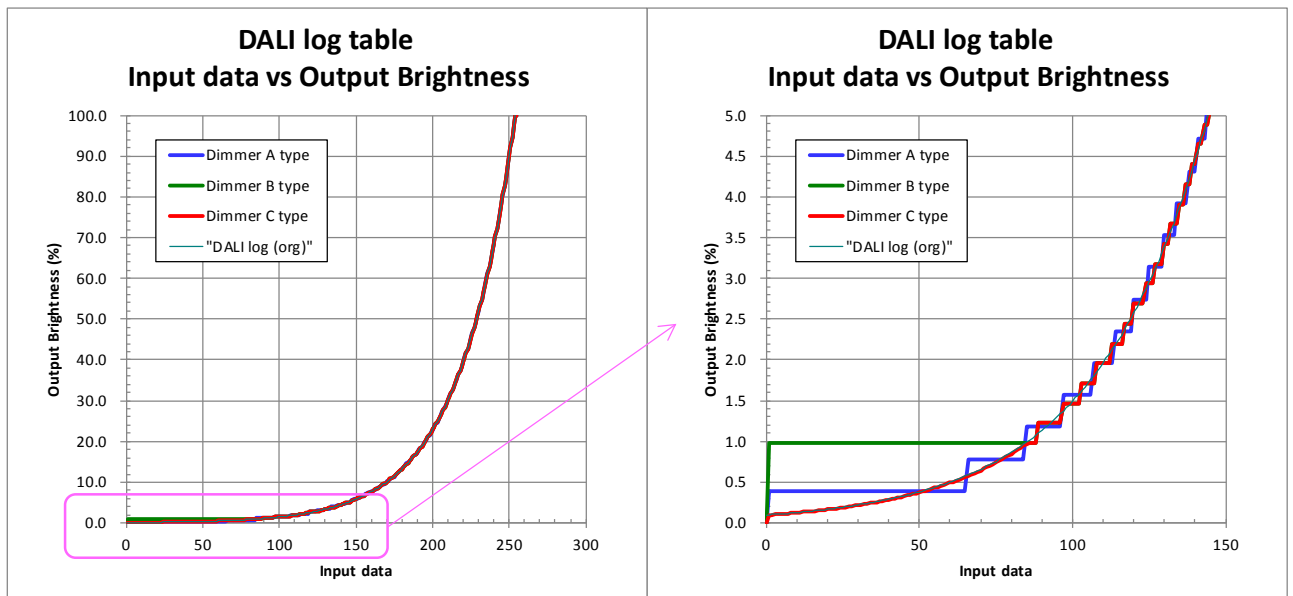
2.3 Dimming curve

2.3.1 DALI logarithm curve

Figure 1. Formula of Logarithm Dimming curve

$$X(n) = 10^{\frac{n-1}{253/3} - 1} \quad (\%)$$

Figure 2. Logarithm Dimming curve

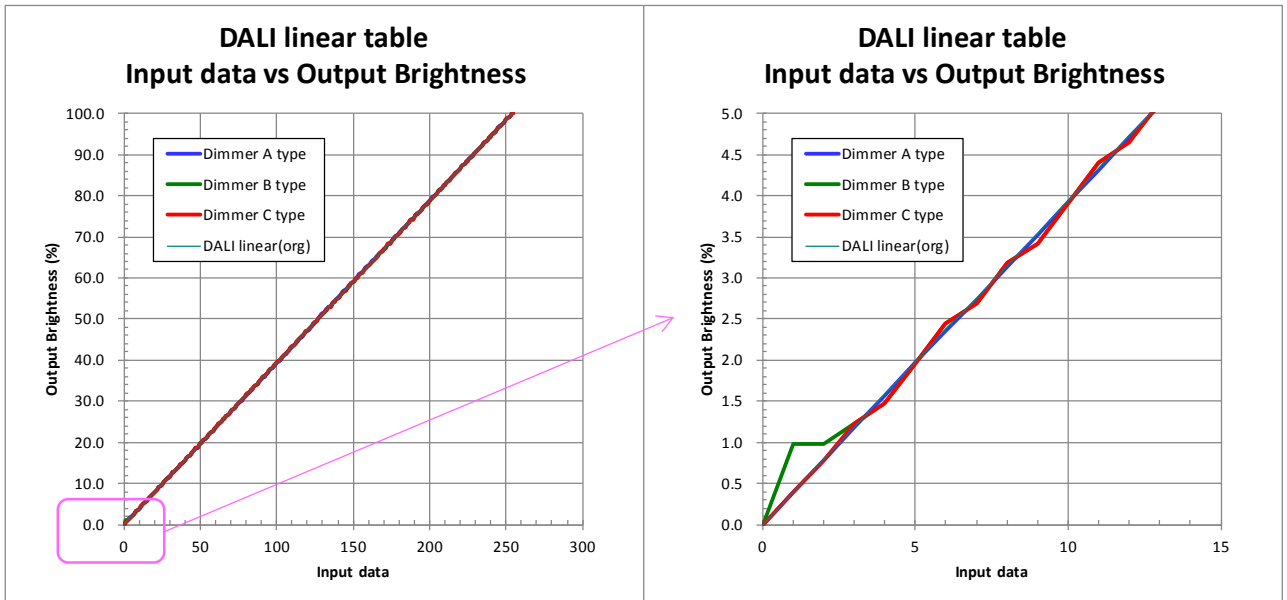


2.3.2 DALI Linear curve

Figure 3 Formula of Linear Dimming curve

$$X(n) = \frac{n}{254} \cdot 100 \quad (\%)$$

Figure 4. Linear Dimming curve



2.4 Memory Bank

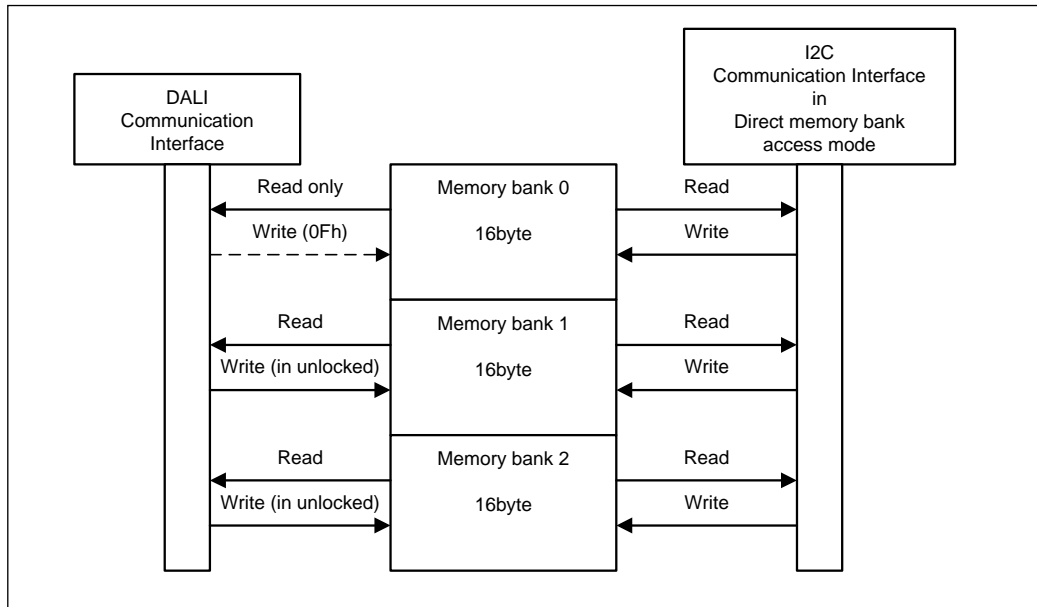
This product is integrated 3 Memory Banks which is 16byte made by Non-volatile memory.

DALI communication can access to the memory bank of "Read" or "Read / Write".

I²C communication can access to the "Read / Write" to all memory bank.

When I²C access the "Read / Write" of all memory bank, it is necessary enter to the direct memory bank access mode by particular settings.

Figure 5. Structure of memory bank



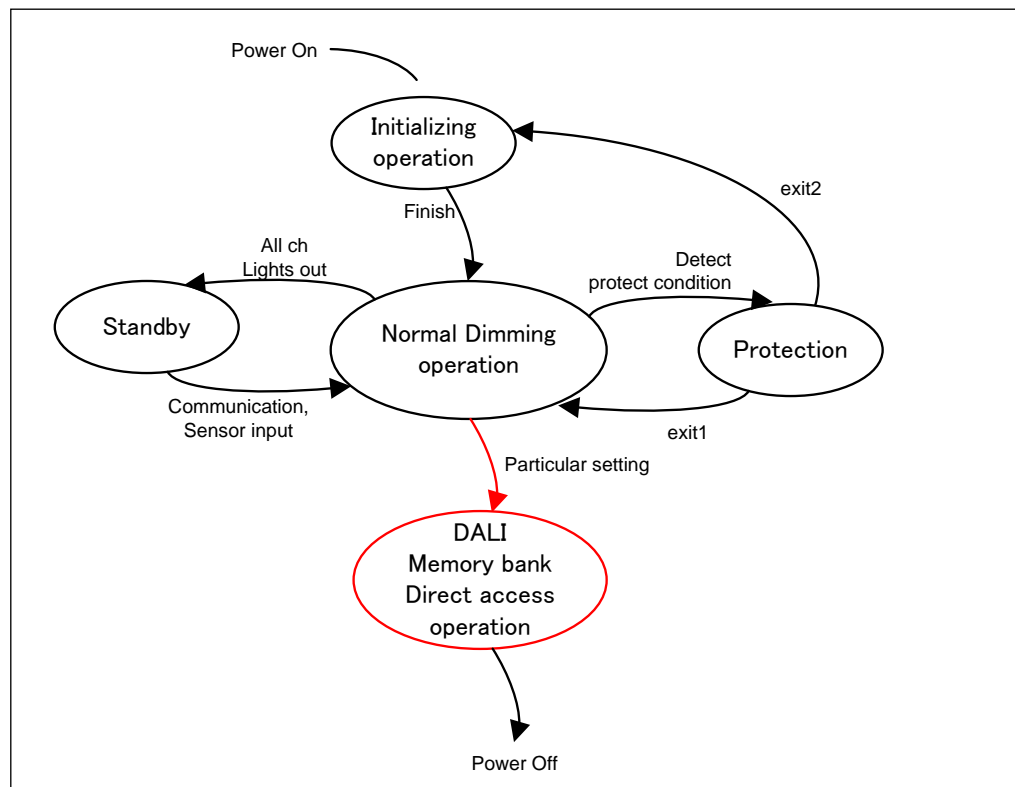
2.4.1 Direct memory bank access mode

- When entry to the direct memory bank access mode, the followings are set to IC.
- In the normal dimming operation,
 - Set to I²C interface mode : DIN1 Pin = "L"
 - Send mode change command by I²C
- After entry, IC Lights out and stops other functions.
- When exit to the direct memory bank access mode, Power off the IC.

Note:

Keep the Power supply 5s after executes write command.

Figure 6. State flow

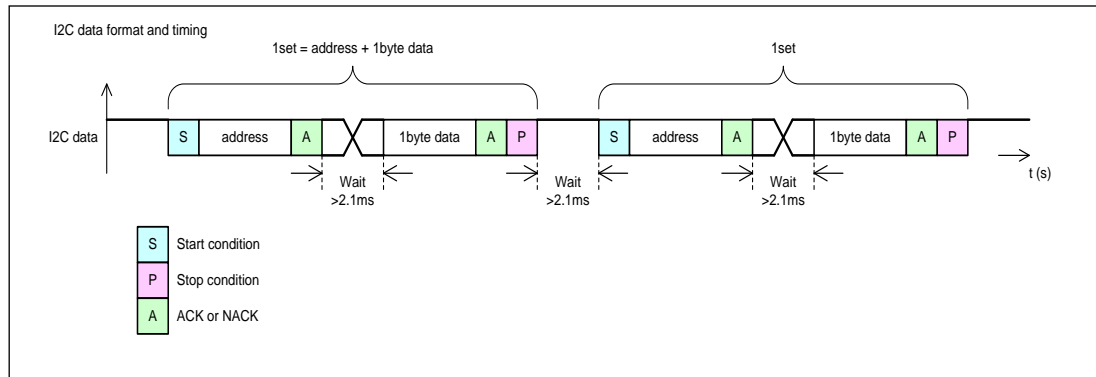


2.4.2 I²C Data format and timing

Entry and in the direct memory bank access mode, I²C data format and timing are shown below.

- I²C clock frequency: 75kHz
- 1set of data receive(Between Start - Stop condition): Address + 1byte data
- Address to Data wait time: > 2.1ms
- Stop to Start wait time: > 2.1ms
- Slave address: AAh

Figure 7. I²C Data format and timing



2.4.3 Command of Direct memory bank access mode

Table 14. Command of Direct memory bank access mode

address	data	address	data	address	data	address	data	Remarks
Mode change command (Entry Direct memory bank access mode)								
AAh	FAh	AAh	AAh	AAh	50h	-	-	
Write data set command								
AAh	5Ah	AAh	<location1>	AAh	<location2>	AAh	<write data>	[2]
Write execute command								
AAh	4Bh	AAh	4Fh	-	-	-	-	[1], [2]
Read data command								
AAh	3Ch	AAh	<location1>	AAh	<location2>	ABh	<read data>	

[1]:Keep the Powersupply 5s after executes write command.

[2]:"write data" can be set to some addresses before "write execute".
And, "write data" set address does not need to be continuing.

2.4.4 Memory map of memory bank

Table 15. Memory map of memory bank

DALI		I ² C		Default data	remarks
Memory bank	Location address	<location1>	<location2>		
0	00h	01h	01h	0Fh ^[1]	Address of last accessible memory location
	01h	01h	02h	0Bh ^[2]	Checksum of memory bank 0
	02h	01h	03h	02h ^[1]	Number of last accessible memory bank
	03h	01h	04h	FFh	GTIN byte 0 (MSB)
	04h	01h	05h	FFh	GTIN byte 1
	05h	01h	06h	FFh	GTIN byte 2
	06h	01h	07h	FFh	GTIN byte 3
	07h	01h	08h	FFh	GTIN byte 4

DALI		I ² C		Default data	Remarks
Memory bank	Location address	<location1>	<location2>		
0	08h	02h	01h	FFh	GTIN byte 5
	09h	02h	02h	FFh	Control gear firmware version (major)
	0Ah	02h	03h	FFh	Control gear firmware version (minor)
	0Bh	02h	04h	FFh	Serial number byte 1 (MSB)
	0Ch	02h	05h	FFh	Serial number byte 2
	0Dh	02h	06h	FFh	Serial number byte 3
	0Eh	02h	07h	FFh	Serial number byte 4
	0Fh	02h	08h	FFh	Additional control gear information
1	00h	03h	01h	0Fh ^[1]	Address of last accessible memory location
	01h	03h	02h	0Eh ^[2]	Checksum of memory bank 1
	02h	03h	03h	FFh	Memory bank 1 lock byte (read-only if not 55h)
	03h	03h	04h	FFh	OEM GTIN byte 0 (MSB)
	04h	03h	05h	FFh	OEM GTIN byte 1
	05h	03h	06h	FFh	OEM GTIN byte 2
	06h	03h	07h	FFh	OEM GTIN byte 3
	07h	03h	08h	FFh	OEM GTIN byte 4
	08h	04h	01h	FFh	OEM GTIN byte 5
	09h	04h	02h	FFh	OEM serial number byte 1 (MSB)
	0Ah	04h	03h	FFh	OEM serial number byte 2
	0Bh	04h	04h	FFh	OEM serial number byte 3
	0Ch	04h	05h	FFh	OEM serial number byte 4
	0Dh	04h	06h	FFh	Subsystem (bit 4 to 7), Device number (bit 0 to 3)
0Eh	04h	07h	FFh	Lamp type number (lockable)	
0Fh	04h	08h	FFh	Lamp type number	

DALI		I ² C		Default data	Remarks
Memory bank	Location address	<location1>	<location2>		
2	00h	05h	01h	0Fh ^[1]	Address of last accessible memory location
	01h	05h	02h	0Eh ^[2]	Checksum of memory bank 2
	02h	05h	03h	FFh	Memory bank 1 lock byte (read-only if not 55h)
	03h	05h	04h	FFh	For free use
	04h	05h	05h	FFh	
	05h	05h	06h	FFh	
	06h	05h	07h	FFh	
	07h	05h	08h	FFh	
	08h	06h	01h	FFh	
	09h	06h	02h	FFh	
	0Ah	06h	03h	FFh	
	0Bh	06h	04h	FFh	
	0Ch	06h	05h	FFh	
	0Dh	06h	06h	FFh	
	0Eh	06h	07h	FFh	
	0Fh	06h	08h	FFh	

[1]: Do not change data

[2]: When writing a memory bank by I²C, it is necessary to write check sum value by I²C. The check sum calculator does not work in I²C.

3. Major Changes



Spansion Publication Number: MB39C504-EVBSK-02_SS901-00032-1v0-E

Page	Section	Change Results
Revision 0.1		
-	-	Initial release
Revision 1.0		
4	2. About corresponded DALI standard	Description additional

Note: For more details see Document History Table

4. Revision History



Document Revision History

Document Title: S6AL211A31, ASSP 4ch LED Driver IC for Intelligent Lighting Hardware Manual Document Number: 002-08543			
Revision	Issue Date	Origin of Change	Description of Change
**	12/11/2014	TAOA	Initial Release
*A	06/01/2016	TAOA	Migrated Spansion guide "MN405-00001-1v0-E " to Cypress format