



Pin and Code Wizard for SpanSion[®] FM Family

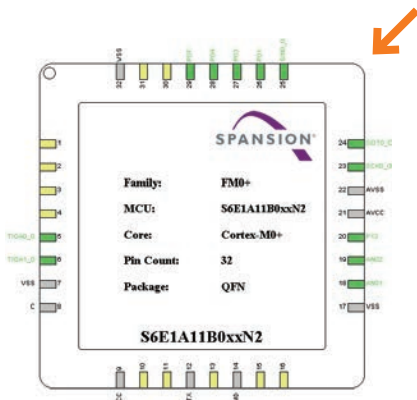
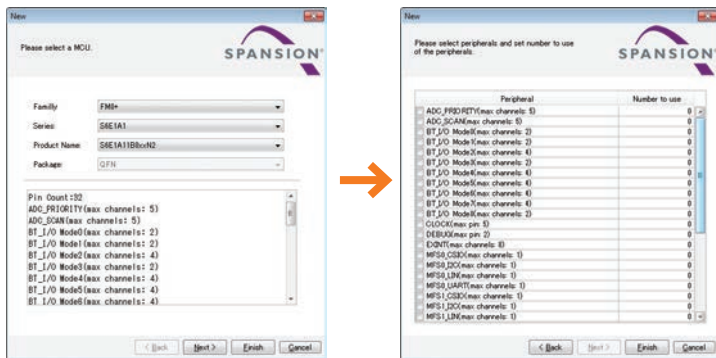
Graphical tool for pin configuration and code generation

This Windows-based tool is for the SpanSion FM family of ARM[®] Cortex[®]-M microcontrollers to enable easy configuration of pin assignments for multiplexed options. It allows developers to graphically assign pin functions in an intuitive and simple manner that aids collision avoidance and generates register initialization code.

FUNCTION DESCRIPTION

Automatic Pin Assignment

Assign the selected peripherals to pin automatically



FEATURES

- Graphical user interface for assigning pin functions
- Generates register initialization source code for user assigned pin functions
- Automatic collision detection and reporting for error control
- Ability to do manual pin assignments and adjustments
- Generates source code to pre-built projects for supported IDEs

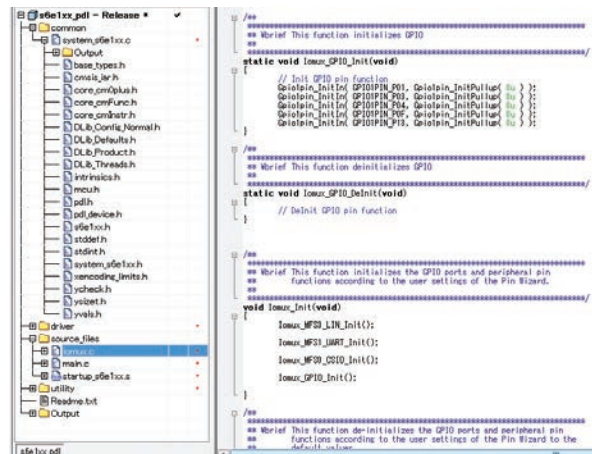
Edit Window

Customize while reviewing the pin assignment status and display the status of any conflicts

Pin	ADC_PRDRITY	BT_I/O Mode	MFS_CSIO	PSA	GPIO
1		TD:A1_1	SCR2_2		PSA
2		TD:A1_1	SOT2_2		PSB
3		TD:A1_1	SD0_2		PSC
4		TD:A1_1			PSD
5		TD:A1_0			PSE
6		TD:A1_0			PSF
7					PSG
8					PSH
9					PSI
10					PSJ
11					PSK
12					PSL
13		AOT3_1			PE0
14					PE1
15					PE2
16					PE3
17					PE4
18		AN01			PE5
19		AN02			PE6
20		AN03			PE7
21		AN04			PE8
22		AN05			PE9
23		AN06	TD:A2_0		PE10
24		AN07			PE11
25			SCR0_0		PE12
26			SOT0_0		PE13
27			SD0_0		PE14
28					PE15
29					PE16
30					PE17
31					PE18
32		TD:A2_2			PE19

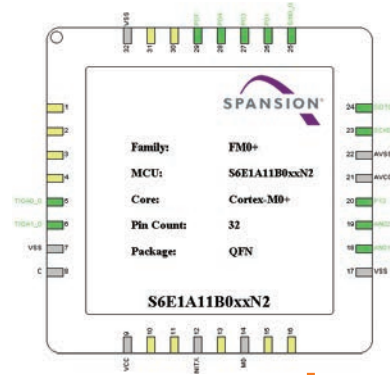
Project Output

Project output includes source code file with initialization code for user assigned pin functions



OUTPUT FILES

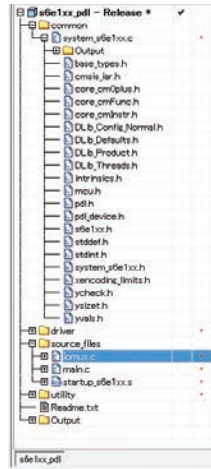
Assignment Result



Report File

Pin	Peripheral	Mode	Function	Conflict
1	GPIO	-	P0A	
2	GPIO	-	P0B	
3	GPIO	-	P0D	
4	GPIO	-	P0D	
5	GPIO	-	P0E	
6	GPIO	-	P0F	
7	GPIO	-	P0F	
8	ADC	ADC_PRIORITY	AN01	
9	GPIO	-	P12	
10	GPIO	-	P13	
11	MFS0	MFS0_CSIO	S0N0_0	
12	MFS0	MFS0_CSIO	S0T0_0	
13	MFS0	MFS0_CSIO	S1N0_0	
14	GPIO	-	P01	
15	GPIO	-	P03	
16	GPIO	-	P04	
17	GPIO	-	P0F	
18	MFS3	MFS3_UART	S0T3_0	
19	MFS3	MFS3_UART	S1N3_0	
20				

Project File



Source File



Report File

Pin assignment in CSV format

Project File

EWARM or MDK-ARM project file

Source File

Source file with API calls to library for peripheral initialization

SYSTEM REQUIREMENTS

- Microsoft Windows 7 (32-bit, 64-bit), Windows 8 (32-bit, 64-bit)
- JRE (Java Runtime Environment) Revision 1.6 or later
- 1GB memory

DOWNLOAD

Spanion Pin and Code Wizard application and User Guide can be downloaded at:
www.spanion.com/pin-code-wizard

Spanion FM4 and FM3 family support will be added to Spanion's Pin and Code Wizard application.

Spanion: 915 DeGuigne Drive, PO Box 3453, Sunnyvale, CA 94088-3453 USA
 +1 (408) 962-2500 | 1 866 SPANION | www.spanion.com



© 2014 Spanion®, the Spanion logo, MirrorBit®, MirrorBit® Eclipse™ and combinations thereof, are trademarks and registered trademarks of Spanion LLC in the United States and other countries. Other names used are for informational purposes only and may be trademarks of their respective owners.

www.facebook.com/spanion
[@Spansion, @SpansionService, @SpansionAuto](https://twitter.com/Spansion)
www.youtube.com/spansioninc
www.linkedin.com/company/spanion